

KNOCK-DOWN FITTINGS



- high quality furniture fittings



The technical descriptions and dimensions in this catalogue, also those with the photographs and drawings, are not binding. We reserve the right to make design improvements.

We bear no liability for any misprints or other errors that might occur in the production of the catalogue.

SISO A/S tager forbehold for trykfejl samt ændringer i produktets specifikationer.

Für Druckfehler und Irrtümer ist jede Haftung ausgeschlossen. Produktänderungen behalten wir uns vor.



SISO A/S
MILEPARKEN 11
DK - 2740 SKOVLUNDE
(COPENHAGEN)
DENMARK
PHONE: (+45) 45 830 900
FAX: (+45) 45 830 444

DISTRIBUTOR























CONTENTS

- high quality furniture fittings

SISO
DENMARK

KNOCK DOWN "SYSTEM S" - Ø15 mm.....	3-7	
MINIFIX - Ø15 mm.....	8	
MEDIAL FIX - Ø25 mm.....	9	
MEDIA LUNA - Ø30 mm.....	10	
KNOCK DOWN FITTING 512 - Ø30 mm.....	11	
MINI LUNA CONNECTOR - Ø30 mm.....	12	
METAL WASHERS - Ø25, 30 & 35 mm.....	13	
FUERTE - Ø35 mm.....	14-16	
JUMBO FIX - Ø35 mm.....	17	
"MAMUT" ZAMAK KD-SYSTEM – Ø 35 MM - DOUBLE SPIRALED.....	18	
MAXI LUNA - Ø40 mm.....	19	
SNAPFIX - Ø20 mm.....	20	
METAL CONNECTING SCREWS F/5 & 8 mm BORE.....	21-22	
CORNER BLOCKS & CORNERFIX.....	23-25	
SNAP FITTING, MITRE DOWELS, FIXING DOWLES & PANEL CONNECTORS.....	26-28	
TWIST & TIGHT - CHAIR ASSEMBLY.....	29	
CLIP PANEL CONNECTORS.....	30	
SUSPENDED HANGER FITTINGS.....	31	
PANEL CLICK BUTTON CONNECTOR.....	32	
REAR PANEL CONNECTORS.....	33	

CONTENTS

STABILIZER & KEYHOLE FIXTURES.....	34	
BED FITTINGS.....	35-36	
ROW & JOINT CONNECTORS.....	37	
BEECH WOOD DOWELS.....	38	
KEA SCREW-IN BUSHINGS.....	39-42	
LEG CORNER BRACKETS.....	43-44	
HANGERBOLTS.....	45	
HEXAGONAL NUTS & WING NUTS.....	46	
LOCATING PINS & WASHERS.....	47	
FIFTEEN SCREWS & BOLTS.....	48	
MUSHROOM SCREWS & INSEX SCREWS.....	49	
INSEX COLLARS & TOOLS.....	50	
COVER CAPS & COLLARS.....	51	
CROSS DOWELS.....	52	
CONFIRMAT SCREWS.....	53	
WOOD SCREWS & DOUBLE POINTED STEEL NAILS.....	54	
BRASS COMBIFIX HEADS.....	55-58	
STEEL COMBIFIX HEADS.....	58-59	
BUSHINGS.....	60-64	
KD SYSTEM "INVISIO".....	65-70	
COMPRESSION DOWELS.....	71	
QUICK DOWEL CABINET CONNECTOR.....	72	

KNOCK DOWN "SYSTEM S"

Is an improvement of the conventional eccentric cam fittings!

Instead of an eccentric cam house in zamak we have developed a steel barrel with a pointed grub screw, which is being wedged below the neck of the dowel ensuring a permanent grip.

Replaces all 15 mm diameter eccentric cam fittings without change of drilling, as the barrel requires the normal 34 mm bore distance from the edge. Can also be supplied for 24 mm and 44 mm distance.

All parts are made of high quality steel or stainless steel for out door use. The material warrants unsurpassed anchoring properties and eliminates the risk of breakage of the fitting.



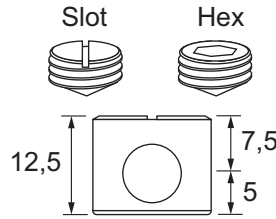
"SYSTEM S" 1512 – F/16 MM PANELS

Material
Steel or Stainless Steel

Size
Cylinder Ø15 x 12,5 mm
Grub screw M10 x 6 mm

Finish
Bronze Plated (BRZ), Bright Zinc Plated (BZP),
Stainless Steel (SS) Natural

	BRZ	BZP	SS Natural
Cylinder	#11.03.500	#11.03.505	#11.03.705
Grub screw w/slot	#11.03.490	#11.03.494	on request
Grub screw w/hex	#11.03.491	#11.03.496	#11.03.715



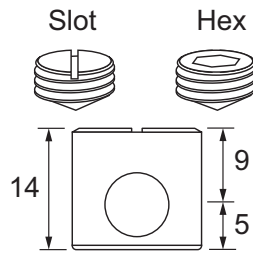
"SYSTEM S" 1514 – F/19 MM PANELS

Material
Steel or Stainless Steel

Size
Cylinder Ø15 x 14 mm
Grub screw M10 x 7,5 mm

Finish
Bronze Plated (BRZ), Bright Zinc Plated (BZP),
Stainless Steel (SS) Natural

	BRZ	BZP	SS Natural
Cylinder	#11.03.516	#11.03.582	#11.03.700
Grub screw w/slot	#11.03.521	#11.03.592	on request
Grub screw w/hex	#11.03.520	#11.03.593	#11.03.710



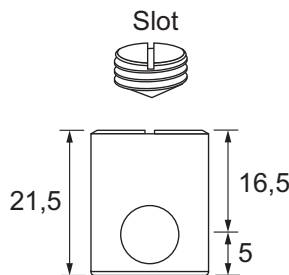
"SYSTEM S" 1522 – F/25-28 MM PANELS

Material
Steel

Size
Cylinder Ø15 x 21,5 mm
Grub screw M10 x 15 mm

Finish
Bronze Plated (BRZ)

Cylinder	#11.03.518
Grub screw	#11.03.495



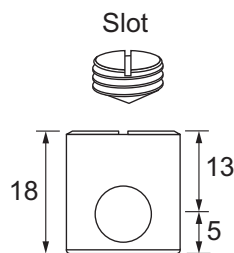
"SYSTEM S" 1518 - HEAVY DUTY - F/22-25 MM PANELS - M8 DOWELS

Material
Steel

Size
Cylinder Ø15 x 18 mm
Grub screw M10 x 8,5 mm

Finish
Bronze Plated (BRZ)

Cylinder	#11.03.450
Grub screw	#11.03.460

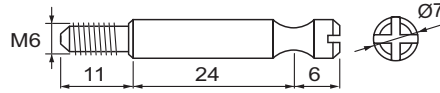


STEEL DOWELS F/KD-SYSTEM S

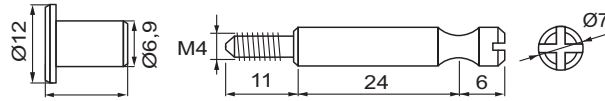
- high quality furniture fittings



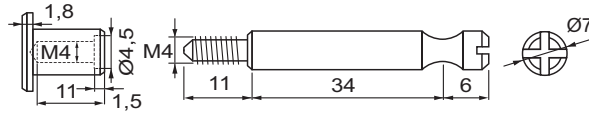
Dowel #11.03.524



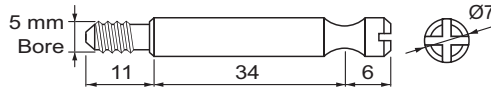
Dowel #11.03.523
Cap #11.03.532



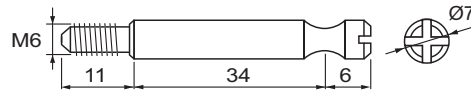
Dowel #11.03.531
Cap #11.03.532



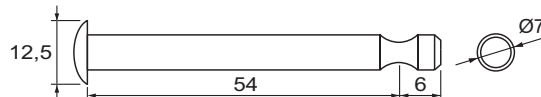
Dowel #11.03.530



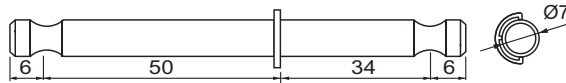
Dowel #11.03.525



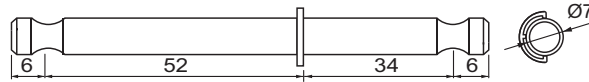
End dowel
Dowel #11.03.534



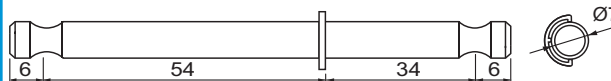
Double dowel
for 16 mm panel
Dowel #11.03.539



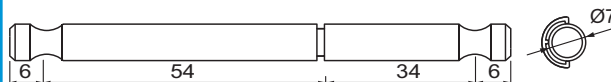
Double dowel
for 19 mm panel
Dowel #11.03.537



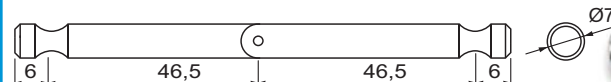
Double dowel
for 20 mm panel
Dowel #11.03.535



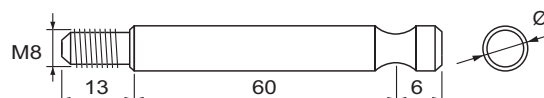
Double dowel
no ring
for 20 mm panel
Dowel #11.03.536



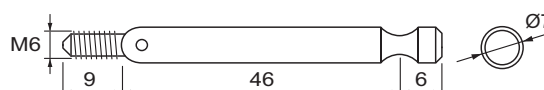
Hinged double
dowel
Dowel #11.03.570



Heavy duty dowel
for housing S1518
Dowel #11.03.470



Mitre dowel
Dowel #11.30.575



PLASTIC COVER CAPS

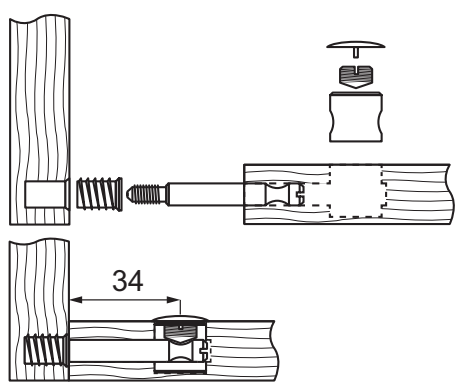
Material
Nylon

Size
Ø17 mm

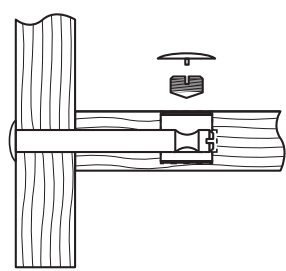
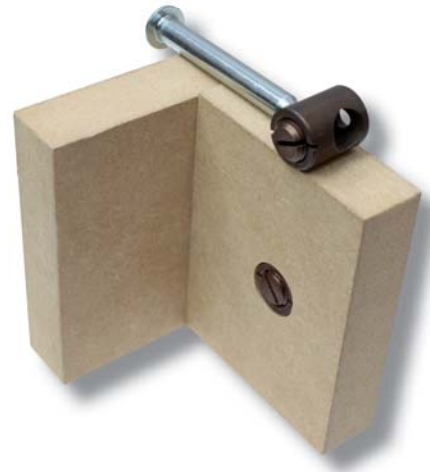
Brown	# 11.03.551
Beige	# 11.03.553
White	# 11.03.554
Oak	# 11.03.555
Black	# 11.03.556
Light grey RAL 7035	# 11.03.559



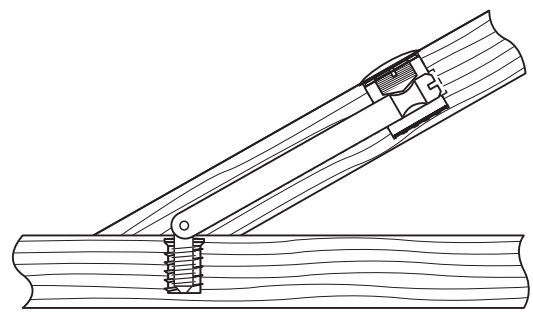
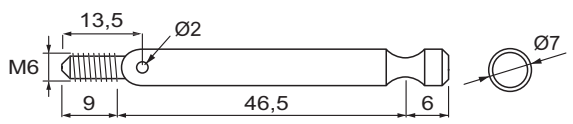
STEEL DOWEL, M6 & SCREW IN BUSHING



STEEL END DOWEL, M6 & SCREW IN BUSHING

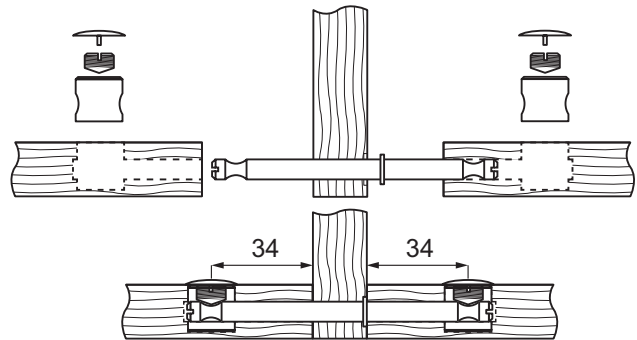


M6 HINGED DOWEL F/MITRE JOINTS #11.03.575

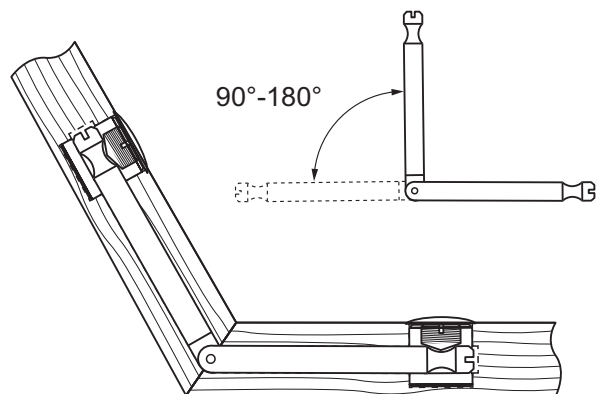


DOUBLE STEEL DOWEL F/16 , 19, 20 MM CENTRE PANEL

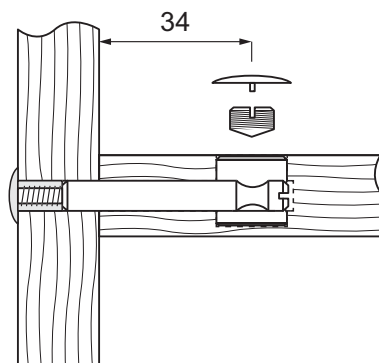
- high quality furniture fittings



DOUBLE STEEL DOWEL HINGED # 11.03.570 F/MITRE JOINTS AT ANY ANGLE FROM 90° TO 180°

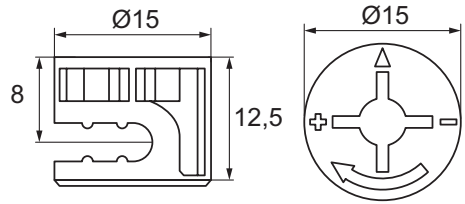


ADJUSTABLE END DOWEL # 11.03.531 & CAP # 11.03.532

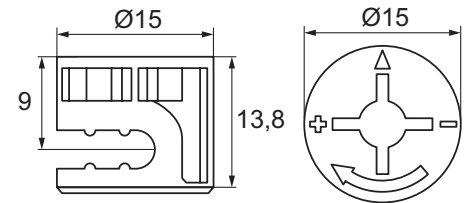


MINIFIX - Ø15 MM

CAM F/16 MM PANEL
Material
 Zamak, Raw
Item No. # 11.03.260

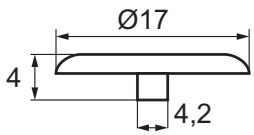


CAM F/18 MM PANEL
Material
 Zamak, Raw
Item No. # 11.03.270



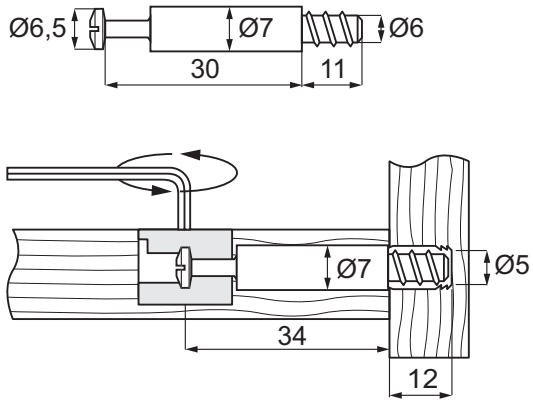
COVERS F/MINIFIX - Ø15 MM

NYLON COVER CAP F/MINIFIX
Material
 Nylon
 Black #11.03.244
 Dark brown #11.03.245
 White #11.03.246
 Light oak 148 #11.03.247
 Beige 147 #11.03.248
 Light grey #11.03.249



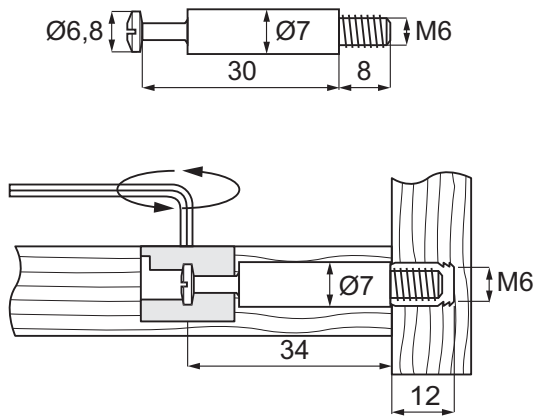
STEEL DOWEL - EURO THREAD Ø5 MM BORING F/MINIFIX - Ø15 MM

Material
 Steel, Bright Zinc Plated
Item No. # 11.03.333



STEEL DOWEL M6 F/MINIFIX - Ø15 MM

Material
 Steel, Bright Zinc Plated
Item No. # 11.03.342



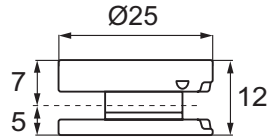
MEDIAL FIX - Ø25 MM

- high quality furniture fittings



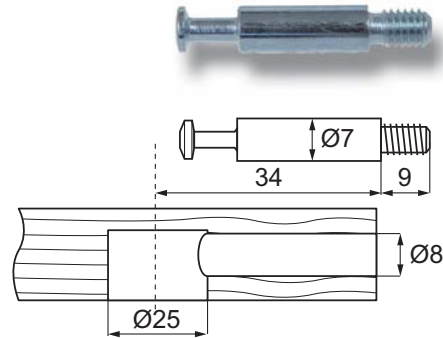
ZAMAK HOUSING

Item No. # 11.03.365



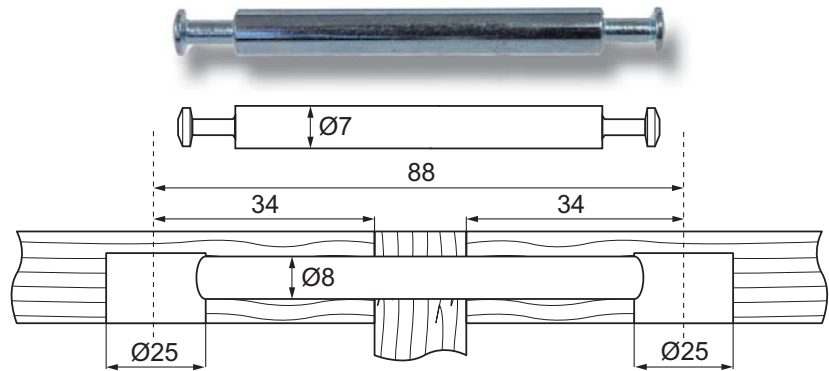
DOWEL STEEL BZP

Item No. # 11.03.380



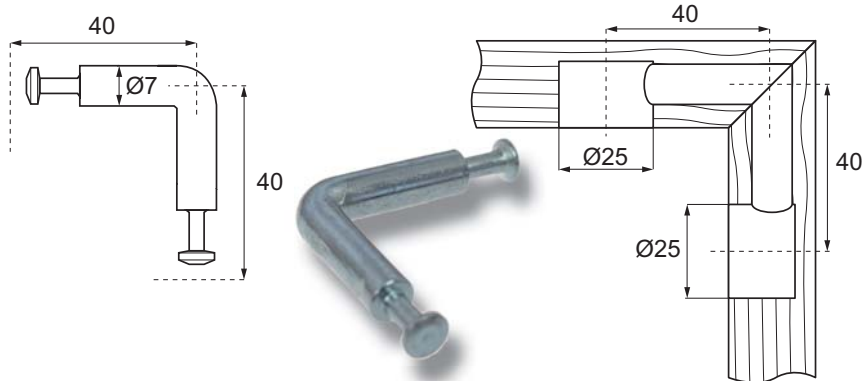
DOUBLE DOWEL STEEL BZP

Item No. # 11.03.385



ANGLED DOWEL STEEL BZP

Item No. # 11.03.390



PLASTIC COVER CAP

Brown - Side grip

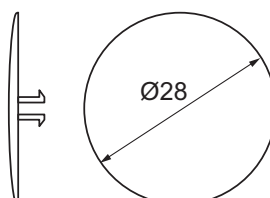
Item No. # 11.03.376

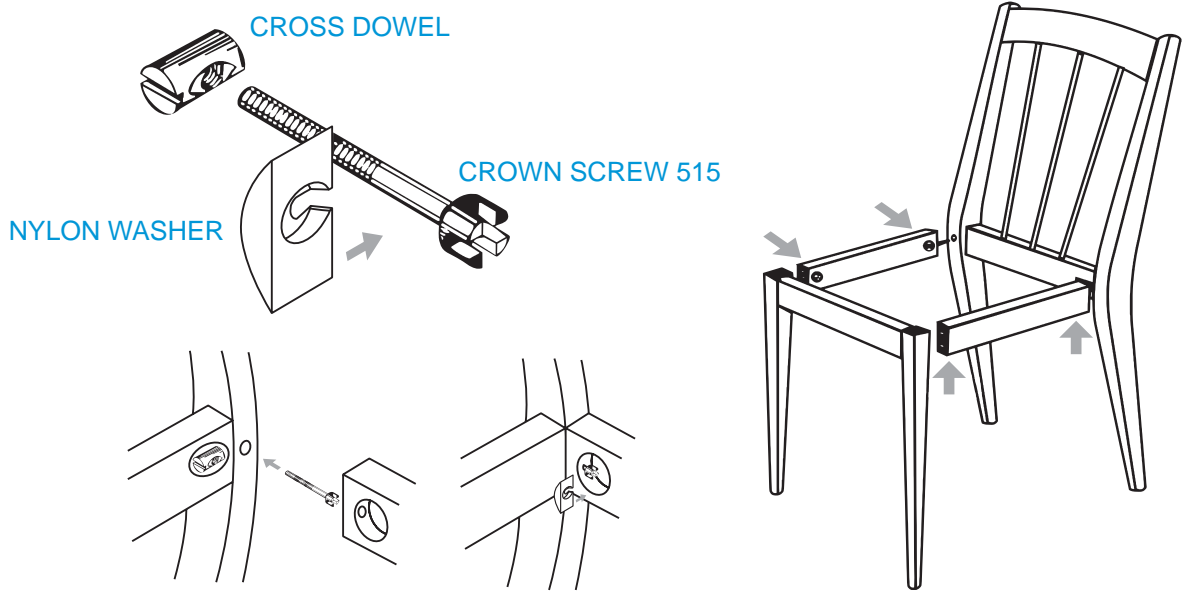


ZAMAK COVER CAP

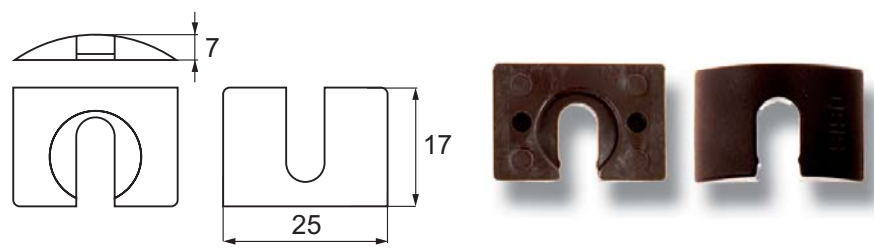
Material
Zamak, nickel plated

Item No. # 11.03.375

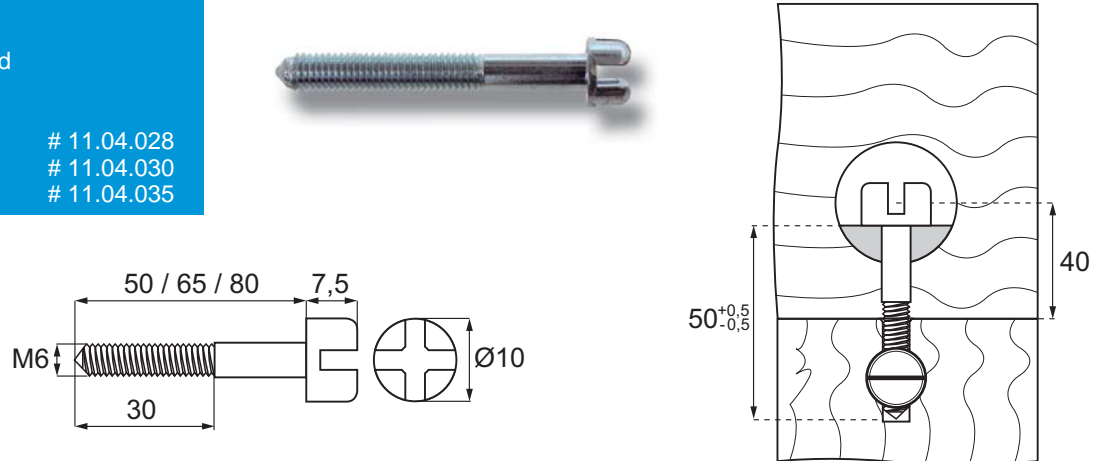




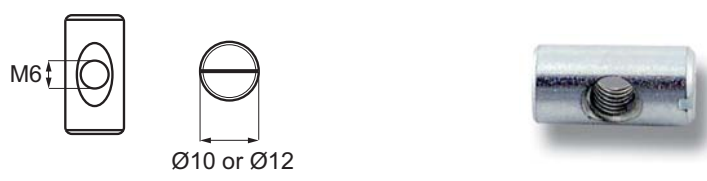
WASHER BROWN
 Material
 Plastic
 Item No. # 11.04.239



CROWN SCREW POINTED
 Material
 Steel, zinc plated
 Item No.
 M6 x 50 mm # 11.04.028
 M6 x 65 mm # 11.04.030
 M6 x 80 mm # 11.04.035



CROSS DOWEL
 Material
 Steel, zinc plated
 All dimensions
 and Item No. see page 50

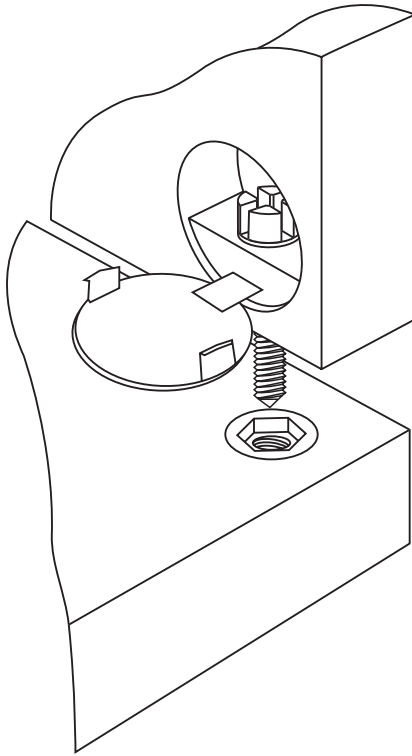


COVER CAP
 Material
 Plastic
 Item No.
 Beige # 11.04.244
 Brown # 11.04.245
 White # 11.04.246



KNOCK DOWN FITTING 512 - Ø30 MM

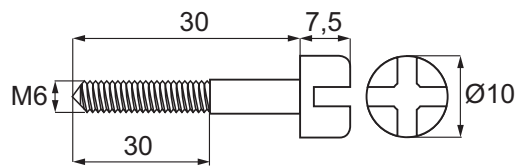
- high quality furniture fittings



CROWN SCREW POINTED BZP

Item No.
M6 x 30

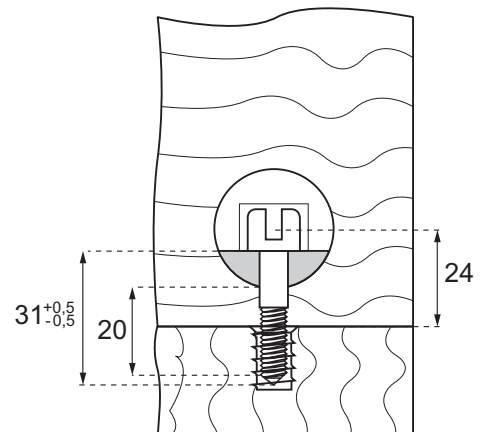
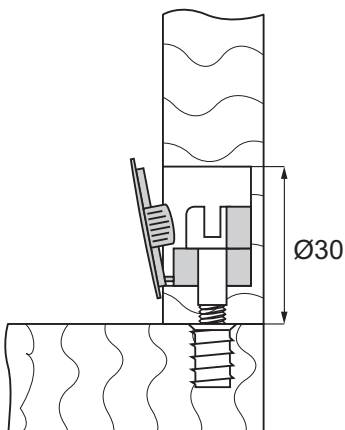
11.04.020



PLASTIC HOUSE

Item No.

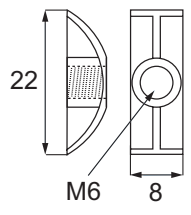
- Brown # 11.04.010
- White # 11.04.011
- Grey # 11.04.015
- Black # 11.04.016



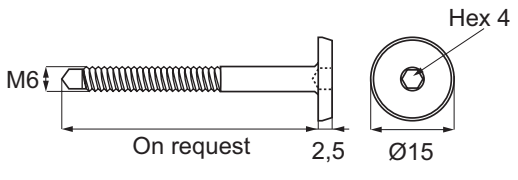
MINI LUNA CONNECTOR - Ø30 MM



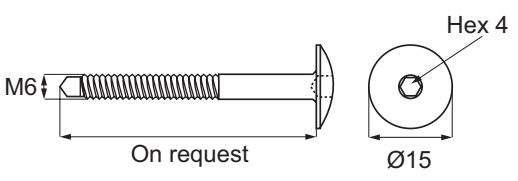
MINI LUNA WASHER
Material
 Zamak, Raw
Item No. # 11.04.232



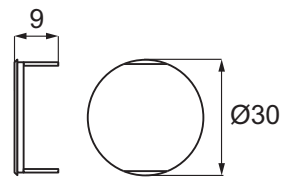
FIFTEEN SCREW
Material
 Steel YZP
Sizes
 M6 x 25 up to 120 mm with 5 mm interval



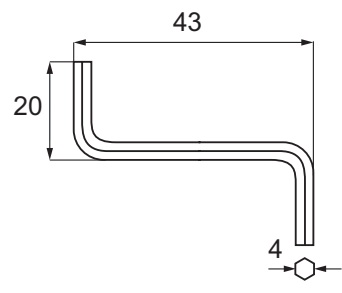
MUSHROOM SCREW
Material
 Steel YZP
Sizes
 M6 x 25 up to 100 mm with 5 mm interval



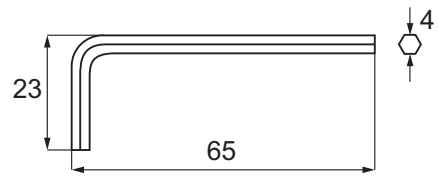
COVER CAP
Material
 Plastic
Item No.
 Beige # 11.04.244
 Brown # 11.04.245
 White # 11.04.246



Z-SHAPED ALLEN KEY 4 mm
Material
 Hardened BZP
Item No. # 12.06.035



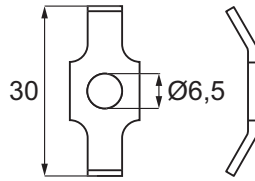
L-SHAPED ALLEN KEY 4 mm
Material
 Hardened black
Item No. # 12.06.010



METAL WASHER
F/M6 screw, Ø30 mm bore

Material
Steel, BZP

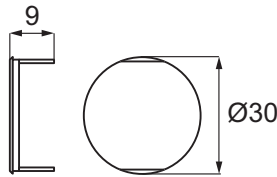
Item No. # 11.04.243



COVER CAP

Material
Plastic

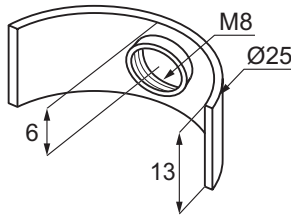
Item No.
Beige, Ø30 mm bore # 11.04.244
Brown, Ø30 mm bore # 11.04.245
White, Ø30 mm bore # 11.04.246
Brown, Ø35 mm bore # 11.04.640



METAL WASHER
W/internal thread M8, Ø25 mm bore

Material
Steel, BZP

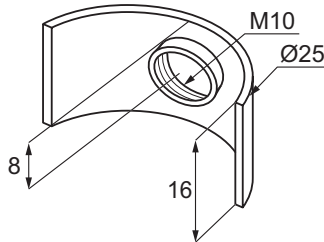
Item No. # 11.04.210



METAL WASHER
W/internal thread M10, Ø25 mm bore

Material
Steel, BZP

Item No. # 11.04.215

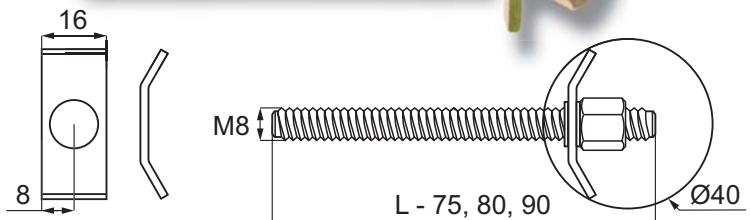
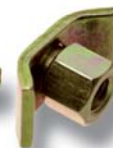


METAL WASHER
W/premounted hexagonal nut M8, Ø40 mm bore

Material
Steel

Item No. # 11.04.242

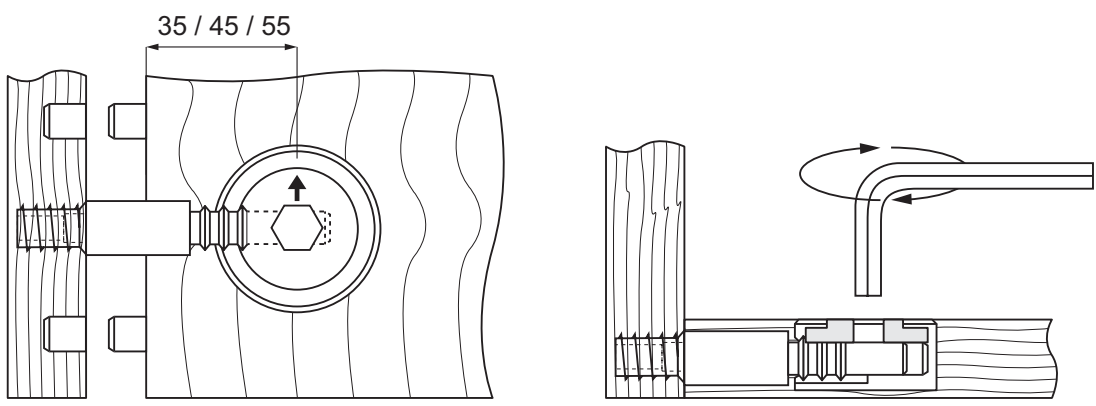
Threaded bolt to be bought separately



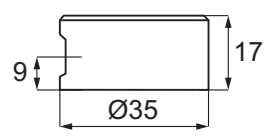
"FUERTE" KD-SYSTEM - Ø35 MM - 90°

"FUERTE" is a heavy duty connector particularly suitable for strong and secure assembly of beds, table frames, panels and cabinets. The housing with its steel worm gear and hardened steel dowel ensures a permanent grip and continual tension.

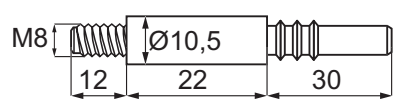
The system is available for 90° and 180° connections with drilling distances 35, 45 and 55 mm.



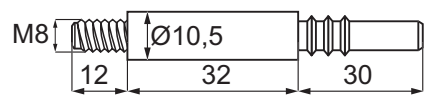
HOUSING
Material
 Housing: zamak, raw
 Worm gear: hardened steel
Size
 Ø35 x 17 mm
 Hex hole 6 mm
Item No. # 11.03.610



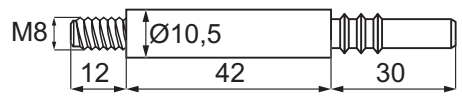
DOWEL
 Overall length 64 mm
Material
 Hardened steel
Sizes
 M8 x 64 mm
 Drill distance 35 mm
Item No. # 11.03.620



DOWEL
 Overall length 74 mm
Material
 Hardened steel
Sizes
 M8 x 74 mm
 Drill distance 35 mm
Item No. # 11.03.621



DOWEL
 Overall length 84 mm
Material
 Hardened steel
Sizes
 M8 x 84 mm
 Drill distance 35 mm
Item No. # 11.03.625

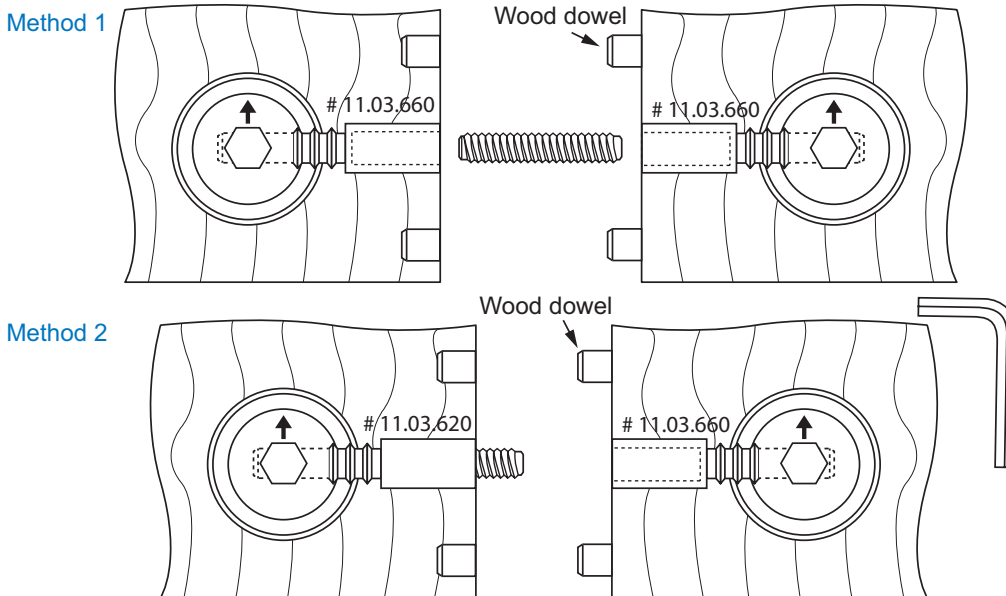


"FUERTE" KD-SYSTEM - Ø35 MM - 180°

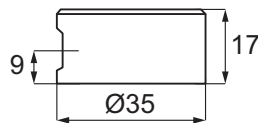
- high quality furniture fittings

The 180° connection is ideal for partition walls, kitchen table tops etc.

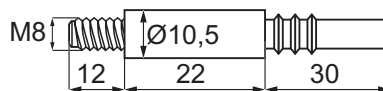
By use of a "Female" dowel combined with a standard "Male" dowel or 2 female dowels connected with a threaded bolt of any length, a 180° connection is possible.



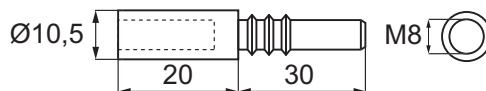
HOUSING
Material
 Housing: zamak, raw
 Worm gear: hardened steel
Sizes
 Ø35 x 17 mm
 Hex hole 6 mm
Item No. # 11.03.610



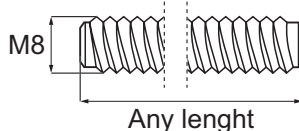
DOWEL
 Overall length 64 mm
Material
 Hardened steel
Sizes
 M8 x 64 mm
 Drill distance 35 mm
Item No. # 11.03.620



DOWEL
Material
 Steel, BZP
Sizes
 Female thread M8
 Standard length 52 mm
Item No. # 11.03.660



THREADED BOLT No. 1262
Material
 Steel
Sizes
 M8 x Any length



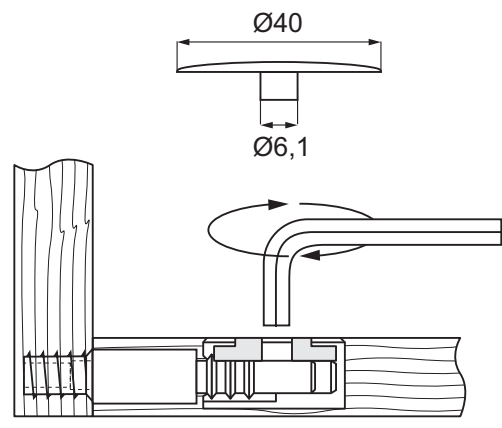
"FUERTE" KD-SYSTEM - Ø35 MM - ACCESSORIES

COVER CAPS W/CENTRE PIN WHEN HOUSING IS FLUSH MOUNTED

Material
Nylon

Size
Ø40 mm
Pin Ø6,1 mm

Item No.
Brown # 11.03.641
Beige # 11.03.642
Black # 11.03.643
White # 11.03.644

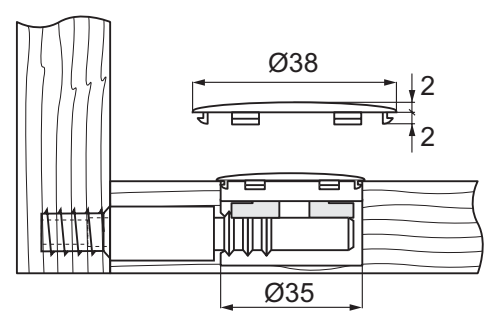


COVER CAPS W/SIDE GRIP

Material
Nylon

Size
Overall Ø38 mm
Inner Ø35 mm

Item No.
Brown # 11.03.640

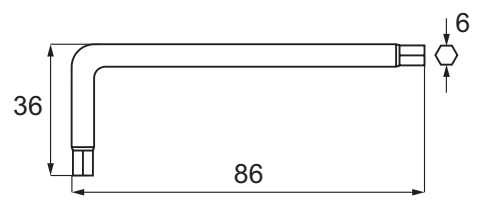


L-SHAPED 6 MM HEX KEY

Material
Hardened steel, BZP

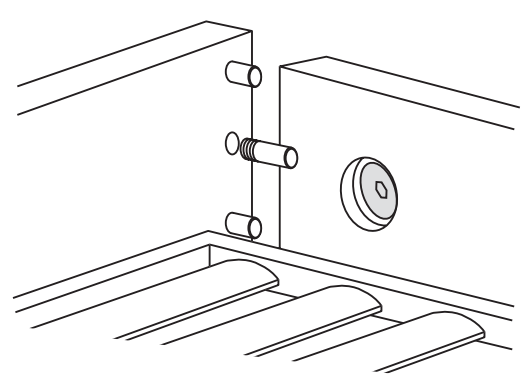
Size
36 x 86 mm
Hex 6 mm

Item No. # 11.03.650

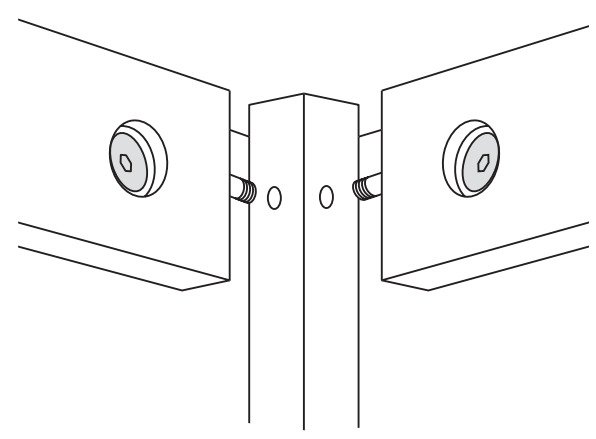


MOUNTING EXAMPLES

BED



TABLE



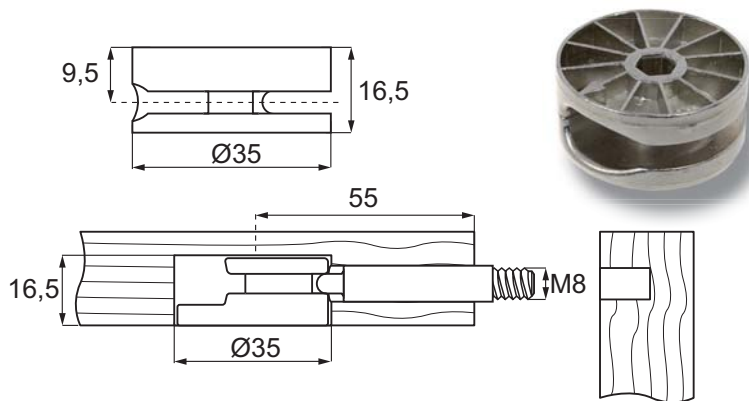
JUMBO FIX - Ø35 MM

- high quality furniture fittings

HOUSING Ø35 MM

Material
Zamak, raw

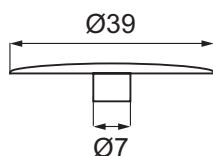
Item No. # 11.03.400



COVER CAP

Material
Plastic

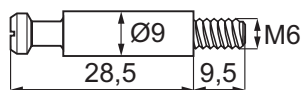
Item No. Brown # 11.03.440



DOWEL M6

Material
Steel, BZP
Size
M6 x 28,5 mm
Drill
35 mm

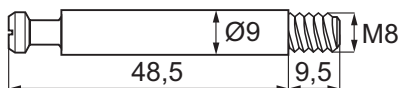
Item No. # 11.03.408



DOWEL M8

Material
Steel, BZP
Size
M8 x 48,5 mm
Drill
35 mm

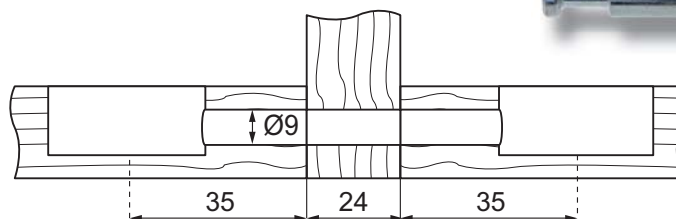
Item No. # 11.03.410



DOUBLE DOWEL

Material
Steel, BZP

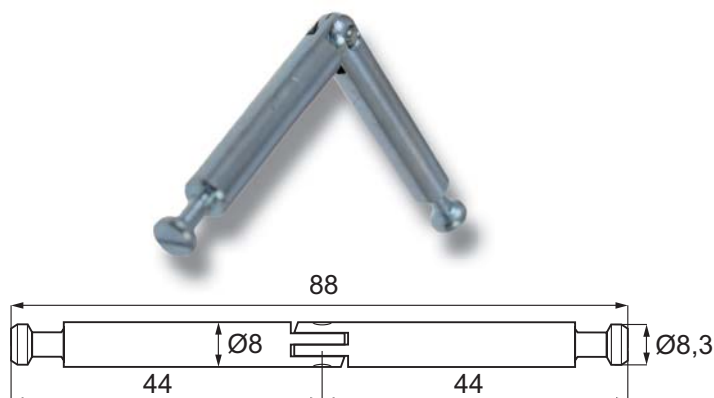
Item No. # 11.03.415



HINGED DOUBLE DOWEL

Material
Steel, BZP

Item No. # 11.03.420



"MAMUT"

ZAMAK KD-SYSTEM – Ø 35 MM - DOUBLE SPIRALED

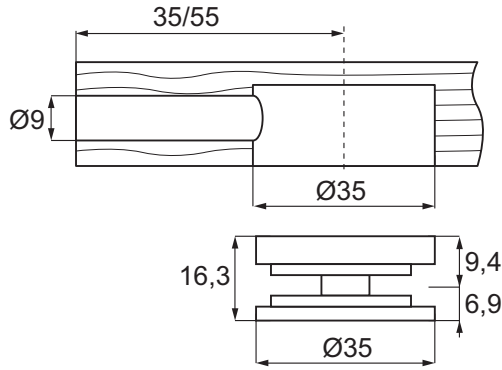
HOUSING Ø35MM

Double spiraled housing for extra strength

Material
Zamak, raw

Item No. # 11.03.430

(Not for sale or re-export to Spain, Portugal, France, UK, Germany, Italy & Turkey)

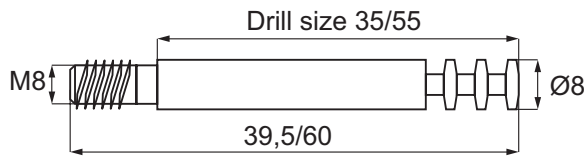


STEEL DOWEL M8

Material
Steel, bright zinc plated

Item No.
M8 x 39,5 mm
(Drill 35mm) # 11.03.443

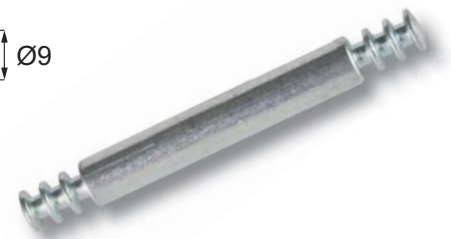
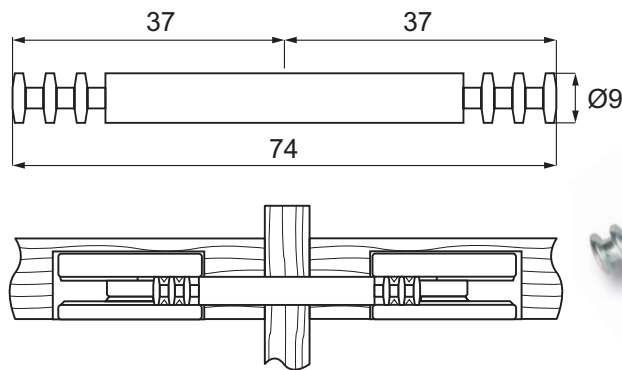
M8 x 60 mm
(Drill 55mm) # 11.03.445



DOUBLE DOWEL

Material
Steel, bright zinc plated

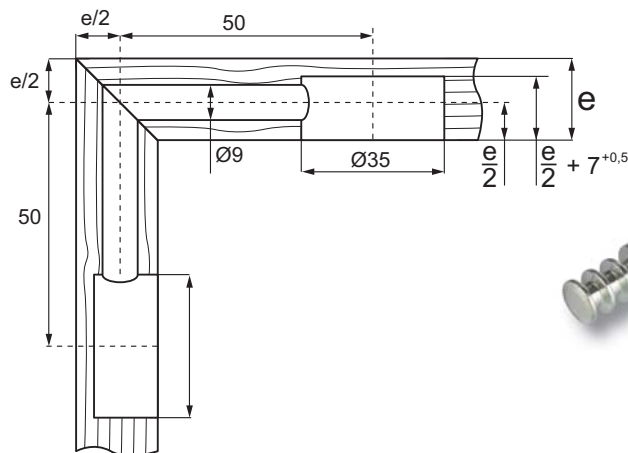
Item No.
74 mm
(Drill 88-96mm) # 11.03.448



ANGLED DOWEL

Material
Steel, bright zinc plated

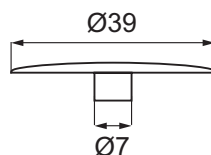
Item No.
46 x 46 mm
(Drill 50mm) # 11.03.449



PLASTIC COVER CAP

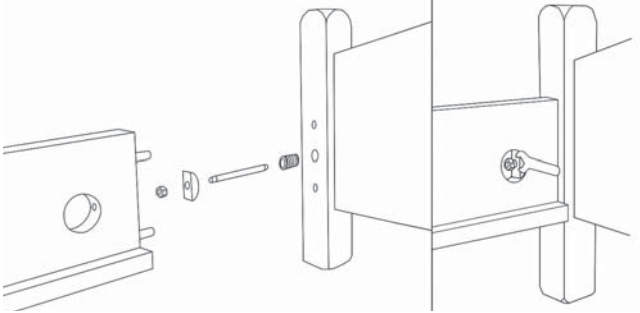
Material
Plastic, Brown

Item No.
Ø39 mm, 7 mm Pin # 11.03.440



MAXI LUNA - Ø40 MM

- high quality furniture fittings

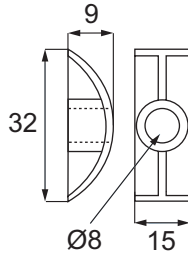


MAXI LUNA WASHER

Bore Ø40 mm
Hole Ø8 mm

Material
Zamak, Raw

Item No. # 11.04.230

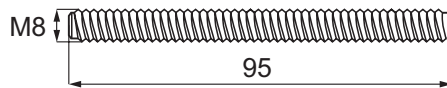


THREADED BOLT Coned Rnds

Material
Steel, YZP

Sizes
M8 x 95 mm

Item No. # 12.08.647



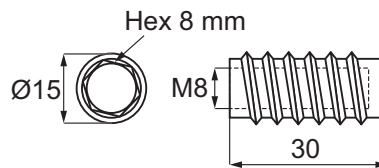
SCREW IN BUSHING

BL-SK with closed end

Material
Steel, YZP

Sizes
Ø15 x M8x 30 mm

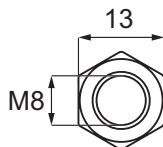
Item No. # 12.10.176



HEXAGONAL NUT DIN 934

Material
Steel, BZP

Item No. # 12.12.016

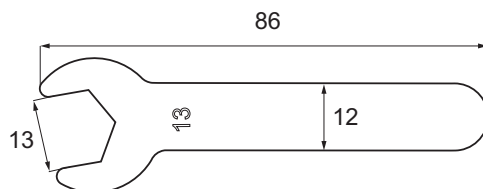


SPANNER

Open - Flat - M8/13 mm

Material
Steel, BZP

Item No.
Mild steel # 12.06.150
Hardened steel # 12.06.155

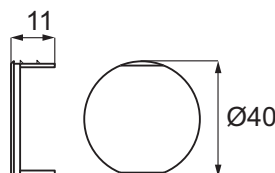


COVER CAP

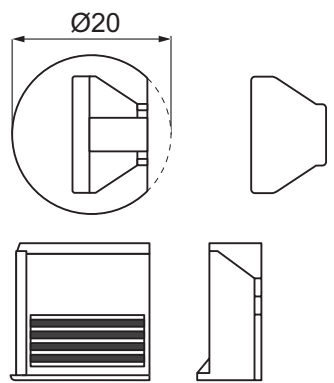
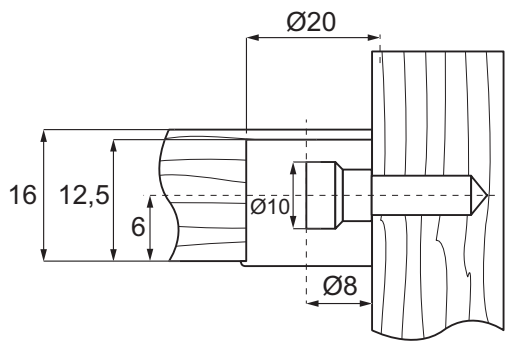
Bore Ø40 mm

Material
Plastic

Item No.
Brown # 11.04.247
White # 11.04.250
Beige # 11.04.248



SNAPFIX - Ø20 MM



SNAPFIX

Item No.	Ø16 mm	Ø19 mm
Panel thickness		
Brown	# 11.04.500	# 11.04.525
White	# 11.04.501	# 11.04.526
Black	# 11.04.502	# 11.04.522
Beige	# 11.04.503	# 11.04.528

Euro screws 6,3 x 13 mm flat head # 11.04.634
Other sizes available upon request

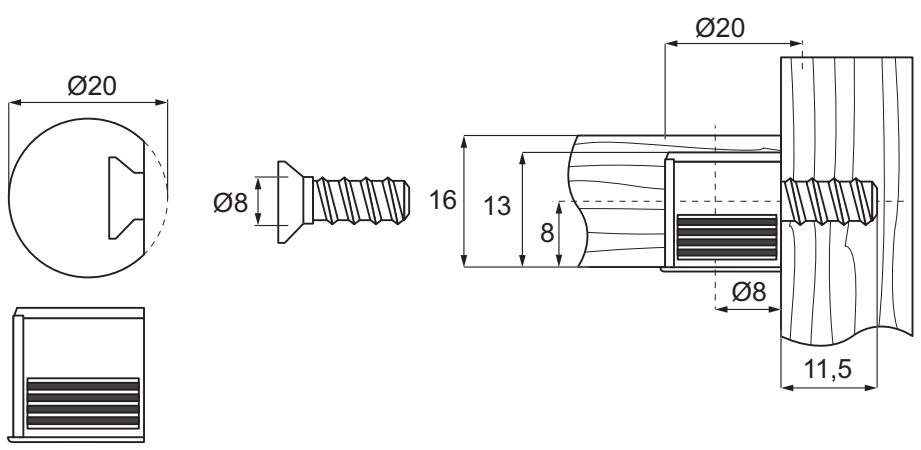


SNAPFIX "S"

SNAPFIX "S"

Item No.	
White	# 11.04.529
Black	# 11.04.530
Beige	# 11.04.531
Brown	# 11.04.533

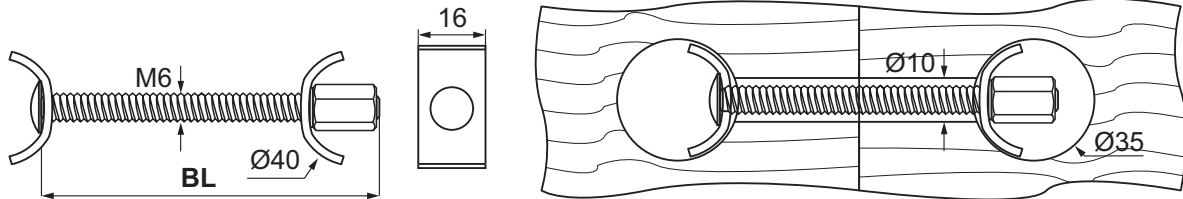
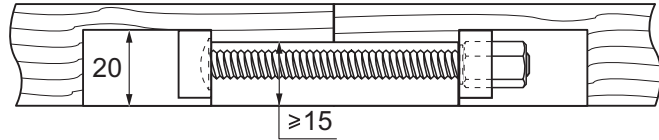
Special euro screws 6,3 x 11,5 mm BZP
w/large head Ø8/Ø10mm # 11.04.618



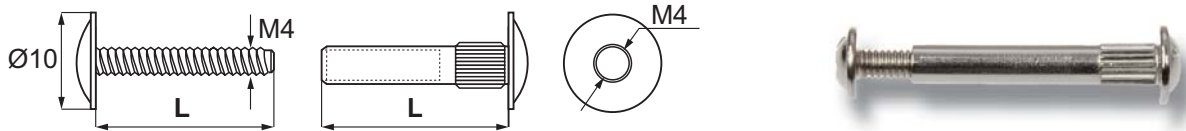
WORK TOP CONNECTOR

Material
Steel, bright zinc plated

Size
M6 x 65 mm # 11.04.425
M6 x 100 mm # 11.04.427
M6 x 150 mm # 11.04.430
M6 x 200 mm # 11.04.460



METAL CONNECTING SCREW F/Ø5 BORE

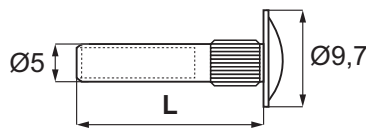


Panel thickness	Screw "L"	Tube "L"	NPL	BPL	BRZ	BLK
20 - 30 mm	M4 x 14 mm	M4 x 20 mm	# 11.06.730	available	upon request	request
25 - 35 mm	M4 x 14 mm	M4 x 25 mm	# 11.06.735	available	upon request	request
27 - 37 mm	M4 x 14 mm	M4 x 27 mm	# 11.06.740	available	upon request	request
30 - 40 mm	M4 x 17 mm	M4 x 27/30 mm	# 11.06.750	# 11.06.751	# 11.06.752	# 11.06.753

INDIVIDUAL COMPONENTS F/Ø5 BORE

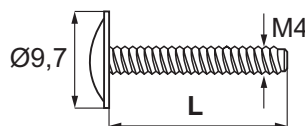
TUBE M4 X Ø5 SIZES

L = 15, 20, 22, 25, 27, 30, 35, 40 mm
L = 20 mm BPL # 11.06.709
L = 27 mm BRZ # 11.06.713
L = 30 mm BLK # 11.06.711



SCREW M4 SIZES

L = 10, 14, 18, 22, 25, 30, 35 mm
L = 14 mm BRZ # 11.06.729



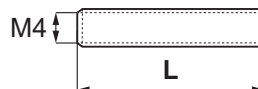
THREADED TUBE M4 X Ø5 MM

Diam. x L = 15, 22, 25, 30, 45, 50 mm

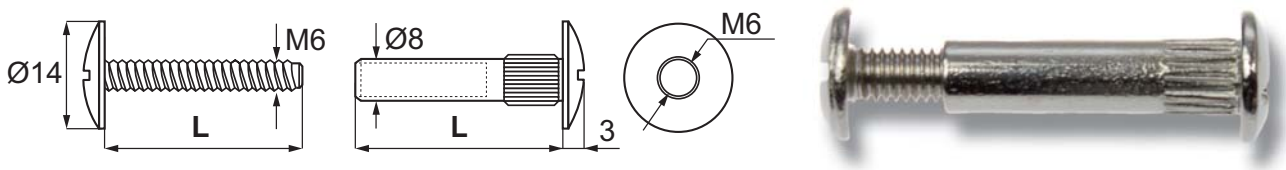
Material

Steel, yellow zinc plated

L = 15 mm # 11.06.695
L = 22 mm # 11.06.700
L = 30 mm # 11.06.701



METAL CONNECTING SCREW F/Ø8 BORE

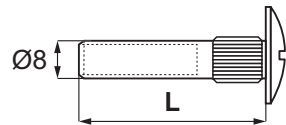


Panel thickness	Screw "L"	Tube "L"	NPL	BPL	BRZ	BLK
25 - 33 mm	M6 x 14 mm	M6 x 25 mm	# 11.06.902	# 11.06.901	# 11.06.900	
31 - 39 mm	M6 x 14 mm	M6 x 30 mm	# 11.06.912	# 11.06.913	# 11.06.910	
31 - 45 mm	M6 x 20 mm	M6 x 30 mm	# 11.06.904		available upon request	
38 - 46 mm	M6 x 20 mm	M6 x 38 mm	# 11.06.920	# 11.06.922		

INDIVIDUAL COMPONENTS F/Ø8 BORE

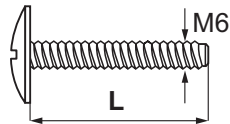
TUBE M6 SIZES
 L = 12, 15, 20, 25, 28, 31, 38 mm

L = 14 mm NPL # 11.06.905
 L = 14 mm BPL # 11.06.907
 L = 14 mm BRZ # 11.06.908
 L = 20 mm NPL # 11.06.906



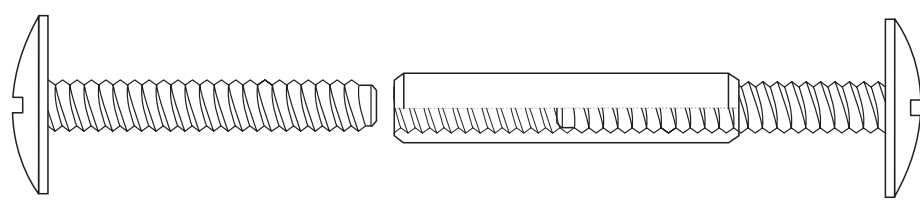
SCREW M6 SIZES
 L = 14, 20, 25, 30, 35, 45 mm

Upon request



THREADED TUBE M6 X Ø8 MM
 L = 18, 20, 28 mm

Upon request



CORNER BLOCK 3554 - SCREW ON TYPE

- high quality furniture fittings

CORNER BLOCK 3554 - SCREW ON TYPE

Material

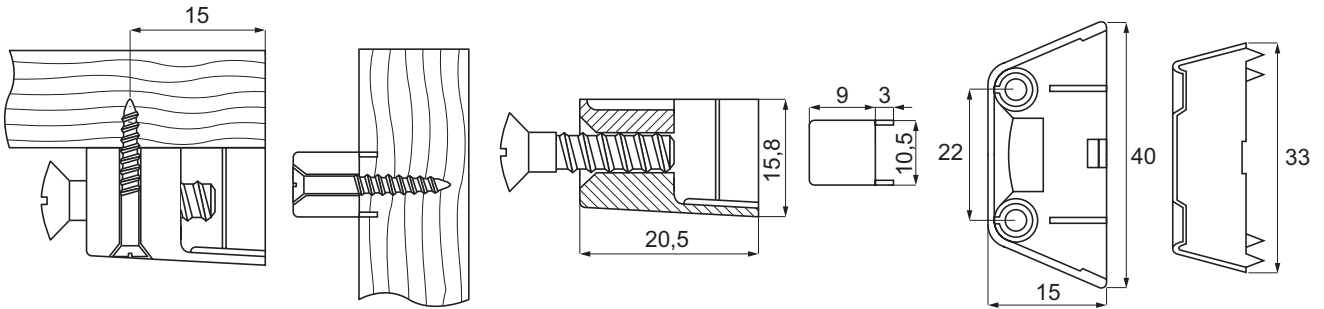
Plastic outer housing. Inner part BZP

Item No.

Brown. Inner part BZP # 11.05.028

White. Inner part BZP # 11.05.033

Apply 4 screws 4,0 mm



CORNER BLOCK 3600

CORNER BLOCK 3600

Material

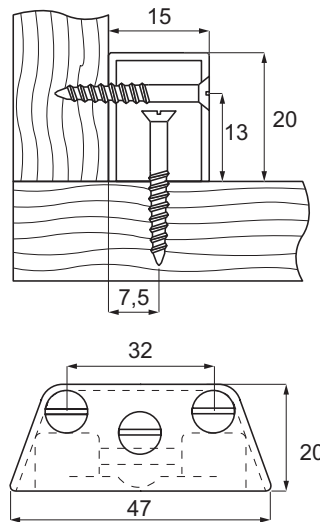
Plastic outer housing. Zamak camfix inside

Item No.

Brown # 11.05.061

White # 11.05.060

Apply 2 screws 3,5 mm for the housing and 2 screws 4.0 mm for inner part



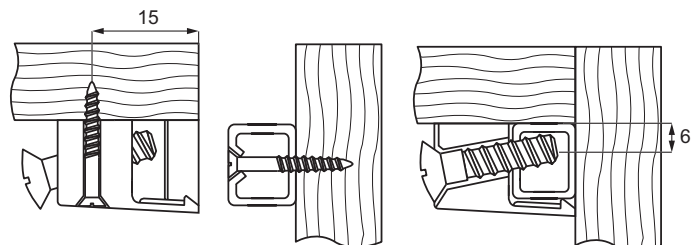
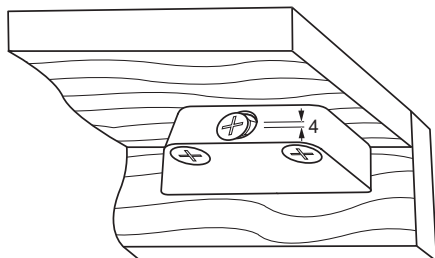
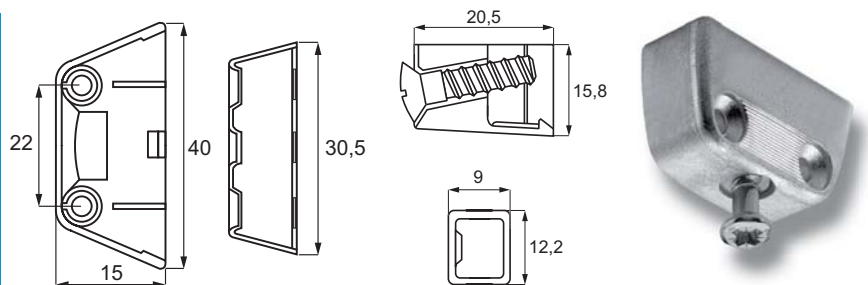
CORNER BLOCK "STRONG" - SCREW ON TYPE

CORNER BLOCK "STRONG" - SCREW ON TYPE

Material

Zamak outer housing
Premounted steel screw
Steel part inner
Apply 4 screws 4 mm

Item No. # 11.05.036



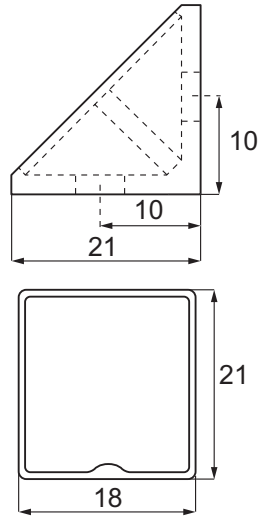
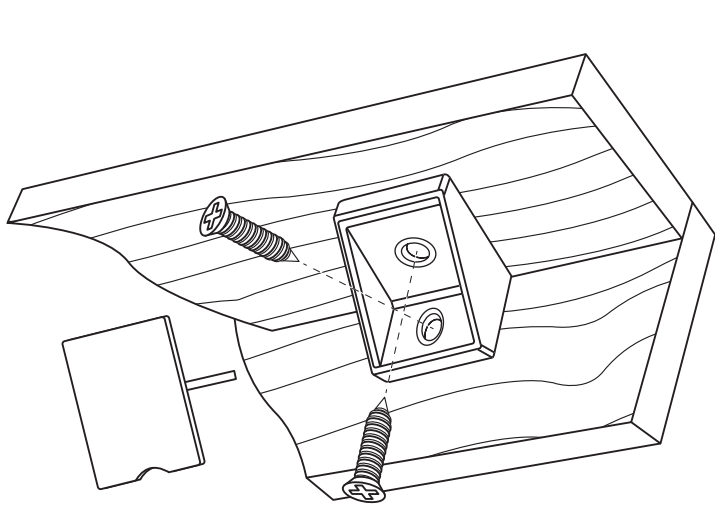
CORNERFIX NO. 100 W/COVER

CORNERFIX NO. 100 W/COVER

Material
Plastic

Apply 2 screws 4 mm

Item No.
White # 11.05.200
Dark brown (RAL 8017) # 11.05.210
Light brown (RAL 8001) # 11.05.220
Black # 11.05.240



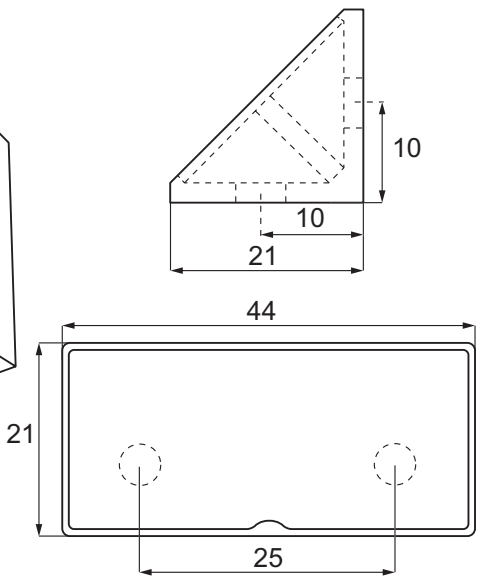
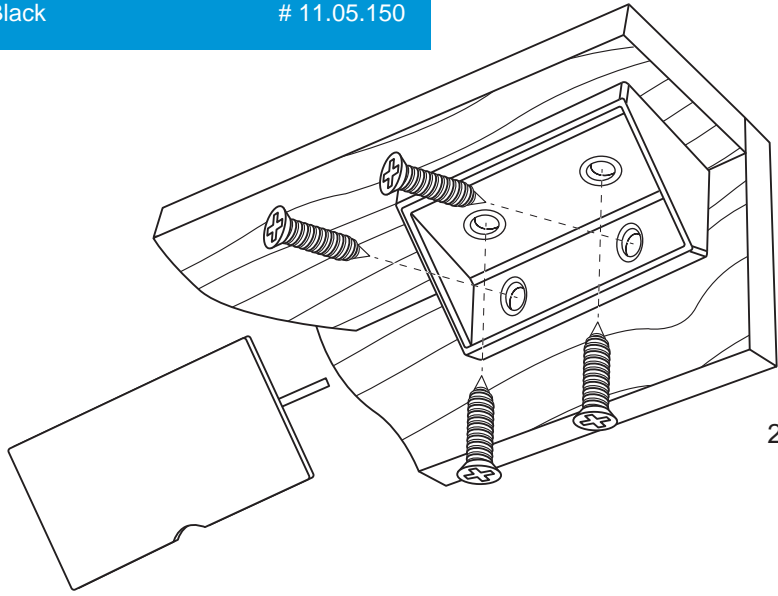
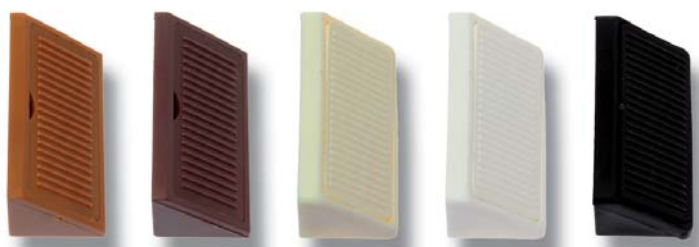
CORNERFIX NO. 200 W/COVER

CORNERFIX NO. 200 W/COVER

Material
Plastic

Apply 4 screws 4 mm

Item No.
Light brown (RAL 8001) # 11.05.110
Dark brown (RAL 8017) # 11.05.120
Ivory # 11.05.130
White # 11.05.140
Black # 11.05.150



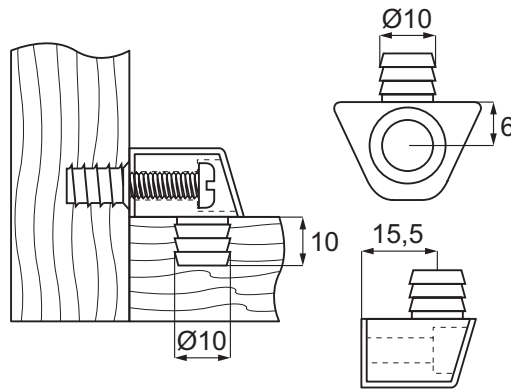
CORNERFIX NO. 300

Material
Plastic

Apply panhead screws 4,5 mm
or euroscrew panhead 6,3 mm

Item No.

White # 11.05.810

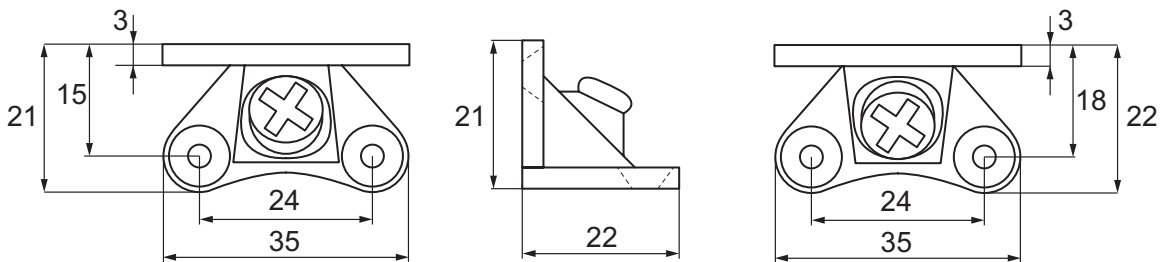


CORNERFIX MODEL "BUTTERFLY"

**CORNERFIX
MODEL "BUTTERFLY"**
with premounted screw

Material
Zamak raw

Item No. # 11.05.100



METAL CORNER CLIP

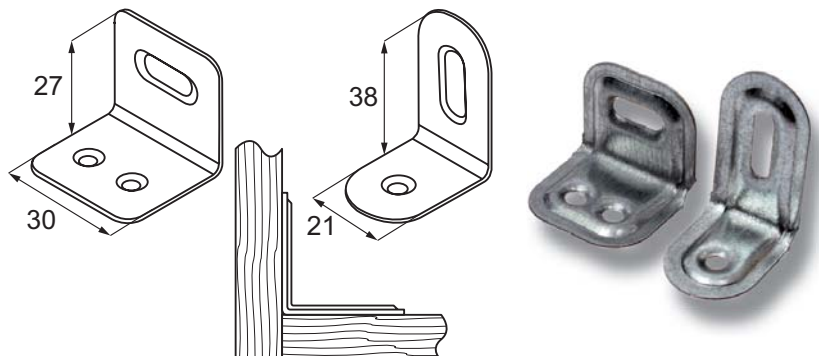
METAL CORNER CLIP

Material
Steel. Bright zinc plated

Item No.

Size 21 x 38 x 28 mm # 24.09.010

Size 30 x 27 x 27 mm # 24.09.020



SNAP FITTING # 214

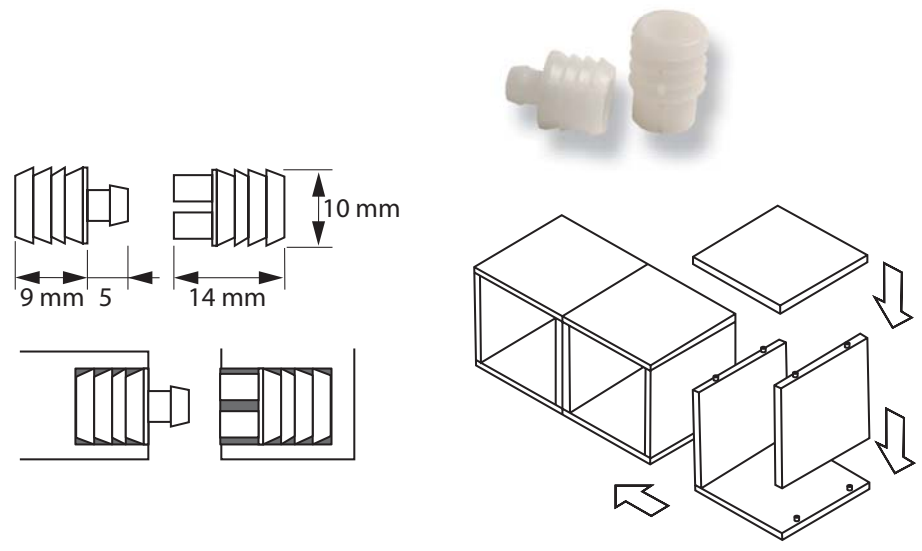
SNAP FITTING # 214

Bore
Ø 10 mm

Material
Nylon, White

Max load capacity pr. set
9 kg

Item No. # 11.06.011 (2 parts)



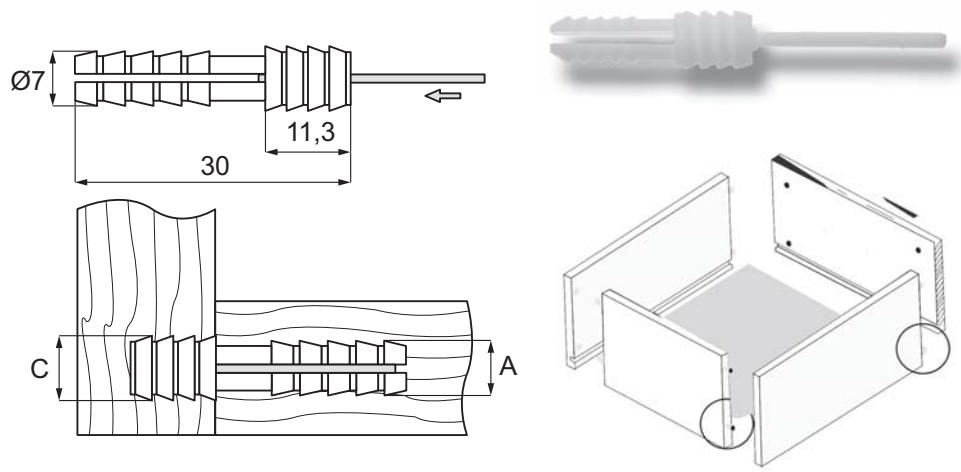
EXPANSION DOWEL MODEL 1703

EXPANSION DOWEL MODEL 1703
Applied for assembly of drawers and smaller cabinets

Material
Plastic

Item No. # 11.06.021

A = 6,3 - 6,4 mm
C = 8 mm

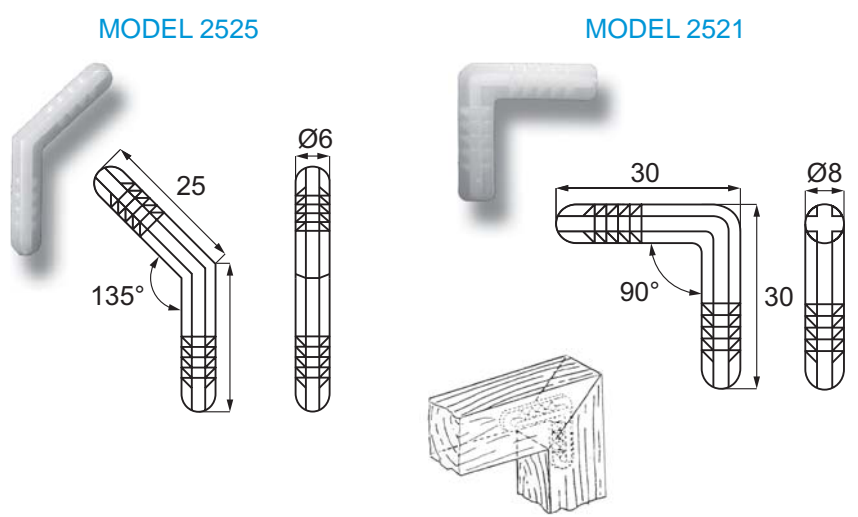


MITRE DOWEL

MITRE DOWEL

Material
White polyethylene

Item No.
Model 2525 # 11.06.052
Model 2521 # 11.06.050



SNAP FITTING "BONE"

- high quality furniture fittings

SNAP FITTING "BONE"

Application

Knock down, concealed fastening.
Built in furniture securely fastened
and disconnected at any time.
Not suitable for ceiling installation

Material

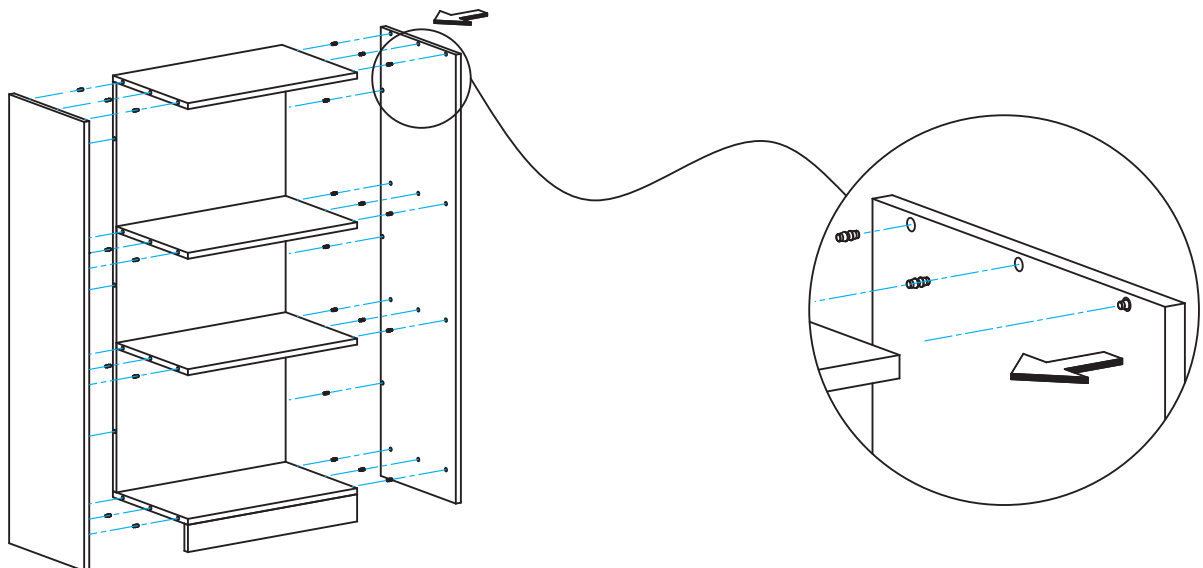
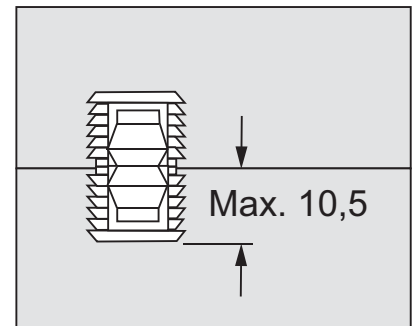
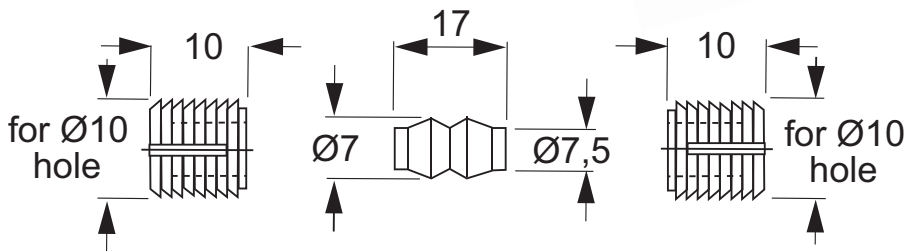
Nylon, White

Bore

Ø 10 x 10 mm

Item No.

Female # 11.06.015
Male # 11.06.016



CLIP CONNECTOR "DOVETAIL"

CLIP CONNECTOR "DOVETAIL"

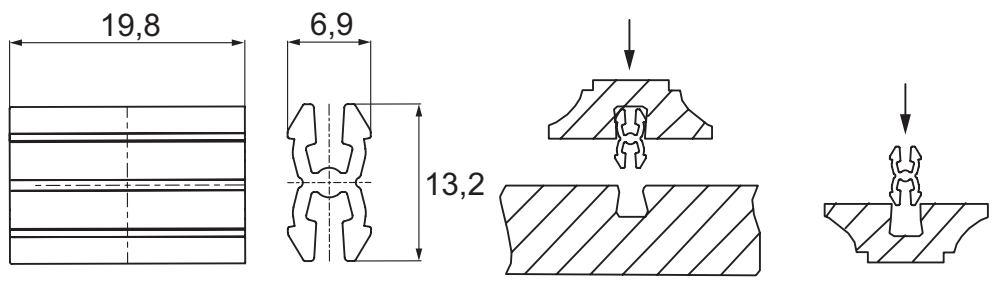
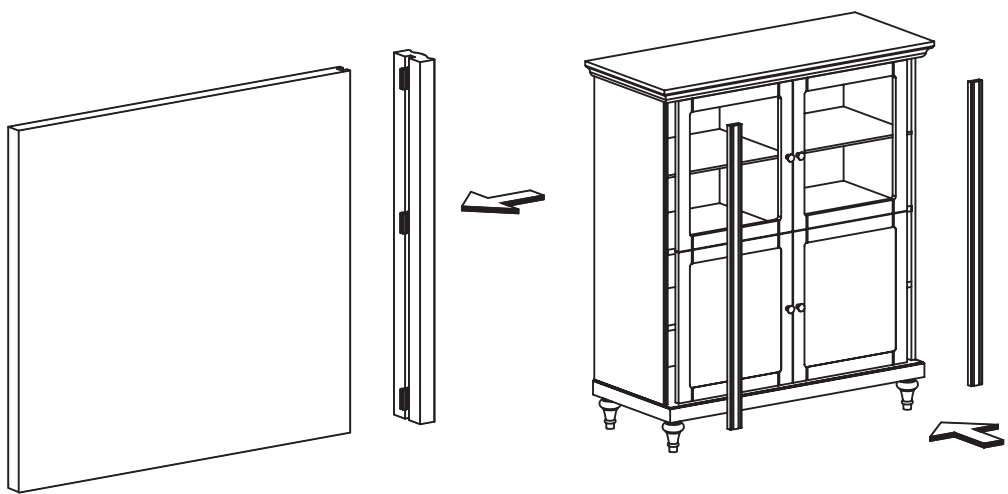
Application
 A concealed, self-tightening, clip connector for fast installation, used mostly for the mounting of mouldings onto surfaces. Use a plunge router to make a pocket groove in each component to be joined.

Material
 POM, Brown

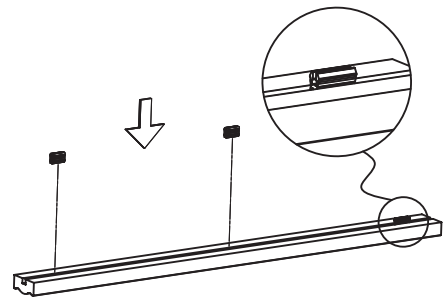
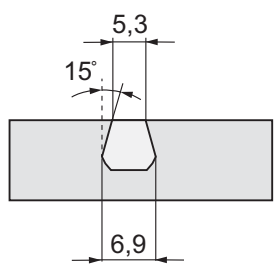
Size
 6,9 x 13 x 19 mm (W/H/L)

Clip Connector
 Item No. # 11.05.840

Router
 Item No. #11. 05. 841



Router



TWIST & TIGHT - CHAIR ASSEMBLY

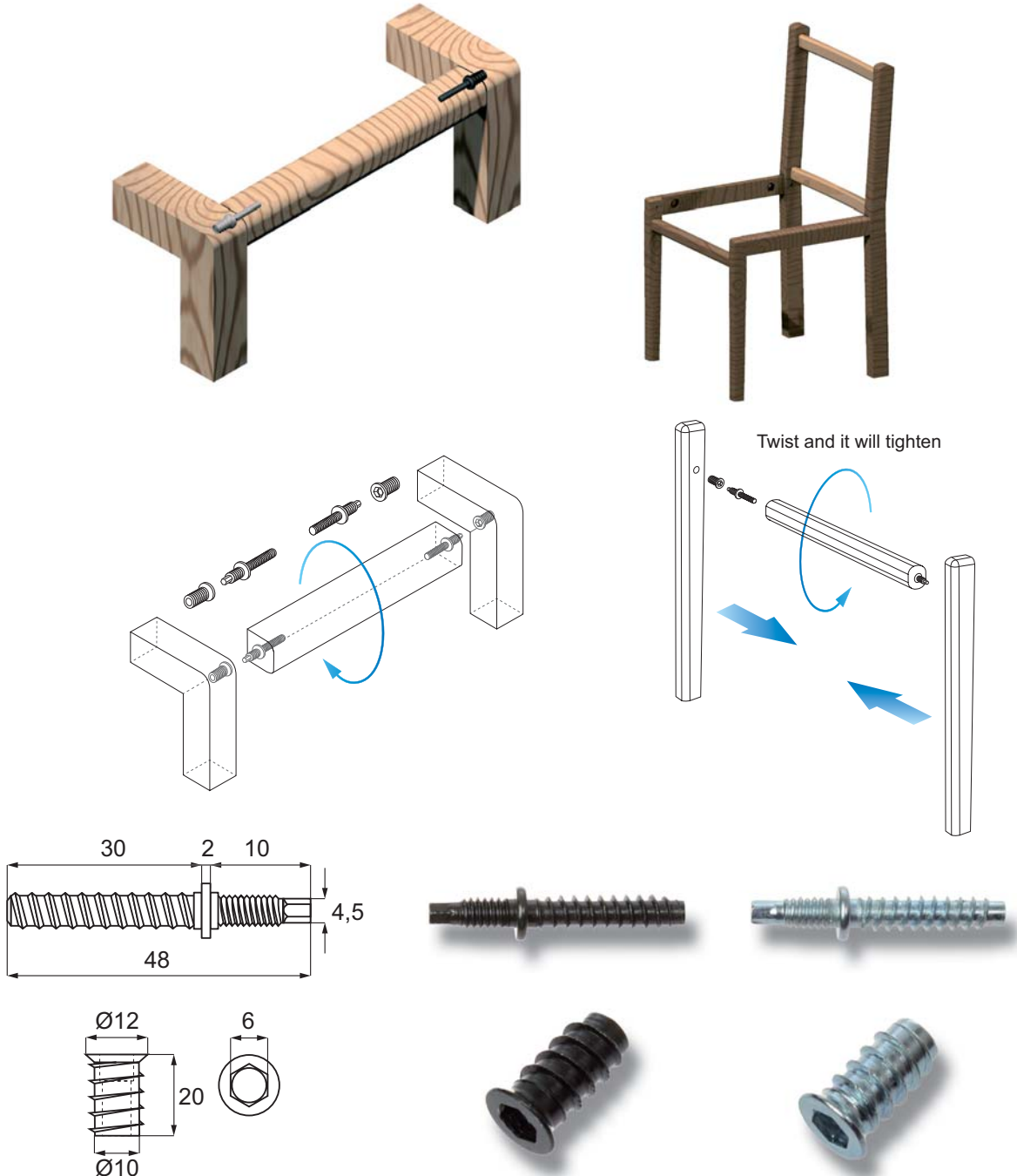
- high quality furniture fittings

SISO
DENMARK

Ideal knock down system for assembly of chairs.

Due to the combination of a left + right hand thread you can TIGHTEN the cross bars on your chair in one TWIST (move).

A system which gives the end-user the possibility of retightening the chair.



TWIST & TIGHT - CHAIR ASSEMBLY

Material

Steel. Black zinc plated

Item No.

Right turn, bushing 1/4" x 20 mm, bore Ø8 mm

11.04.315

Right turn, twister dowel 7 x 31 mm, bore Ø5 mm, 1/4" x 16 mm

11.04.320

Material

Steel. Bright zinc plated

Item No.

Left turn, bushing 1/4" x 20 mm, bore Ø8 mm

11.04.305

Left turn, twister dowel 7 x 31 mm, bore Ø5 mm, 1/4" x 16 mm

11.04.325

CLIP PANEL CONNECTOR "PUSH FIT"

CLIP PANEL CONNECTOR "PUSH FIT"

Designed to allow panels to be directly mounted from the front. The panel component locks into the frame element as the panels are pushed together. The strong clamping effect is sufficient to hold even heavy panels securely, yet the fasteners may be quickly released again without any special tools. Frame side may be mounted in system holes with euro screws or with wood screws.

Material

PC, Black

Max load capacity pr. set

20 kg

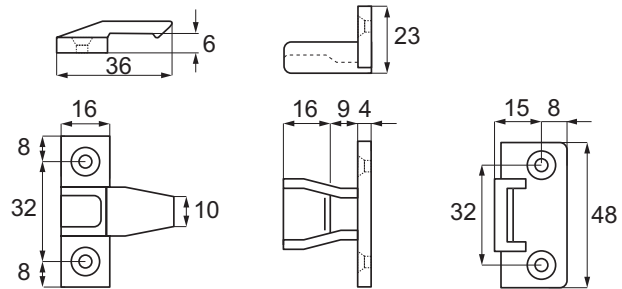
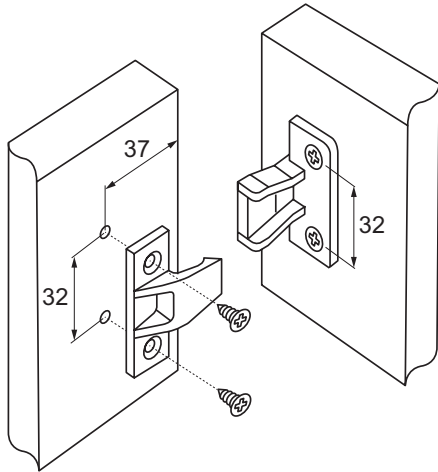
Item No.:

- Female Part for chipboard screws # 11.05.601
- Male Part for chipboard screws # 11.05.602
- Female Part for euro screws # 11.05.605
- Male Part for euro screws # 11.05.606



11.05.605

11.05.606



CLIP PANEL CONNECTOR "PUSH-FIT" W/HOOK

CLIP PANEL CONNECTOR "PUSH-FIT" W/HOOK

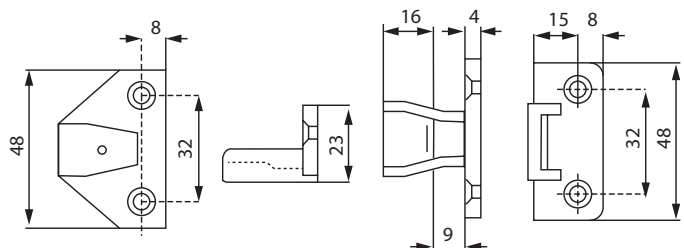
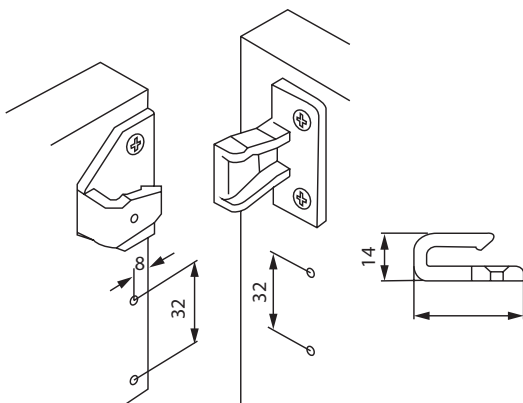
Item No.:

- Female Part for euro screws # 11.05.605
- Hook Male Part for euro screws # 11.05.607



11.05.605

11.05.607



SUSPENDED HANGER FITTING

Material
PC, Black

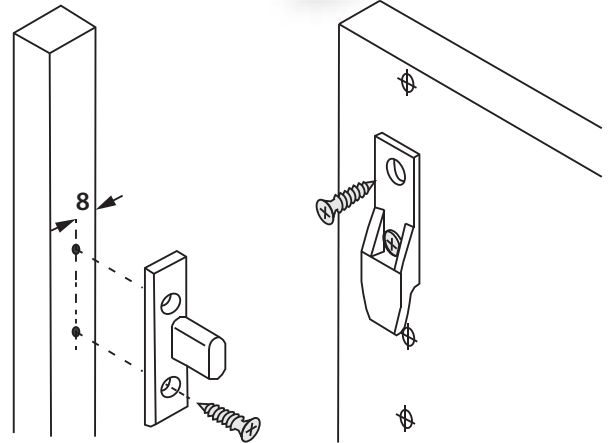
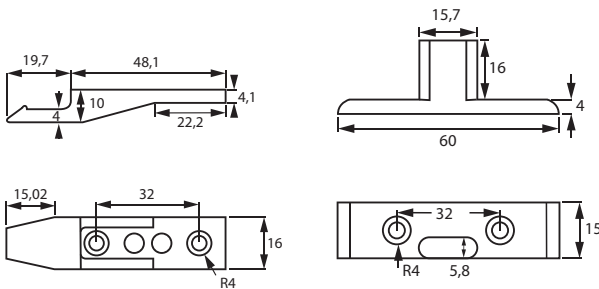
Max load capacity pr. set
20 kg

Item No.:
Female part for chipboard screws # 11.05.618-0
Male part for chipboard screws # 11.05.619-0
Female part for euro screws # 11.05.618-5
Male part for euro screws # 11.05.619-9



11.05.619

11.05.618



SUSPENDED HANGER FITTING W/ANGLED MALE PART

Material
PC, Black

Max load capacity pr. set
20 kg

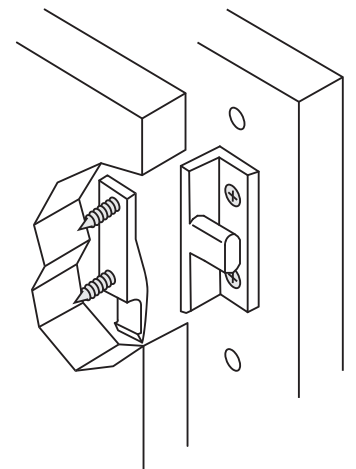
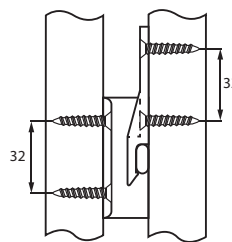
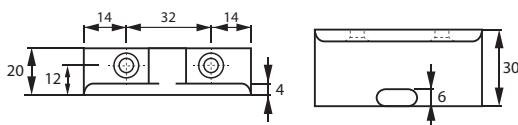
Panel distance: 30 mm

Item No.:
Male part for chipboard screws # 11.05.620
Female part for chipboard screws # 11.05.618



11.05.618

11.05.620



SUSPENDED HANGER FITTING W/SIDE GUIDE

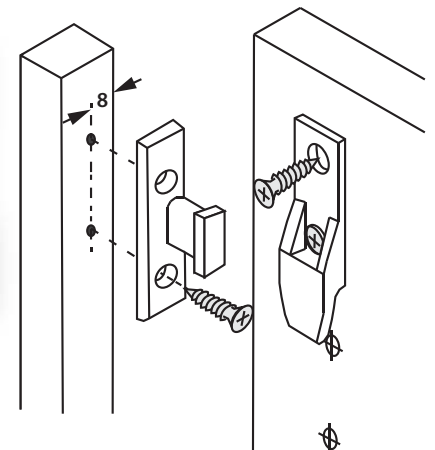
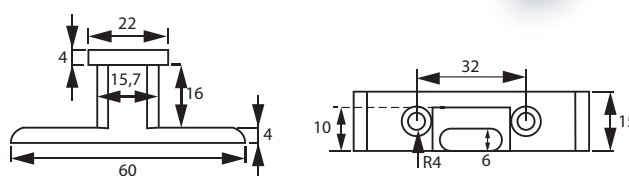
Material
PC, Black

Max load capacity pr. set
20 kg

Item No.:
Male & female for chipboard screws # 11.05.621



11.05.621



PANEL CLICK BUTTON CONNECTOR

PANEL CLICK BUTTON CONNECTOR

Application

The Panel Click button connector is perfect for mounting ceiling and wall panels in areas with minimal frame and panel thickness. To be fixed by screws $\varnothing 5$ mm or glue.

Specification

Grey PC material

Size

20,5 x 20,5 mm
Screw holes $\varnothing 5$ mm

Easy installation by use of locator button
10 mm panel distance after mounting
Max pull out load 5 kg. per. button.

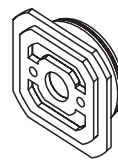
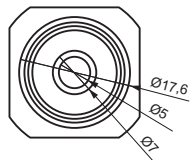
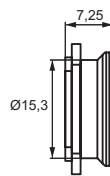
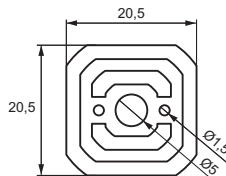
Item No.

Male # 11.05.818-5 (without screws)
Female # 11.05.819-5 (without screws)

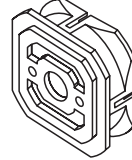
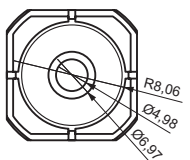
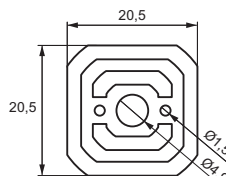
Locator button to be bought separately

Item No. # 11.05.821

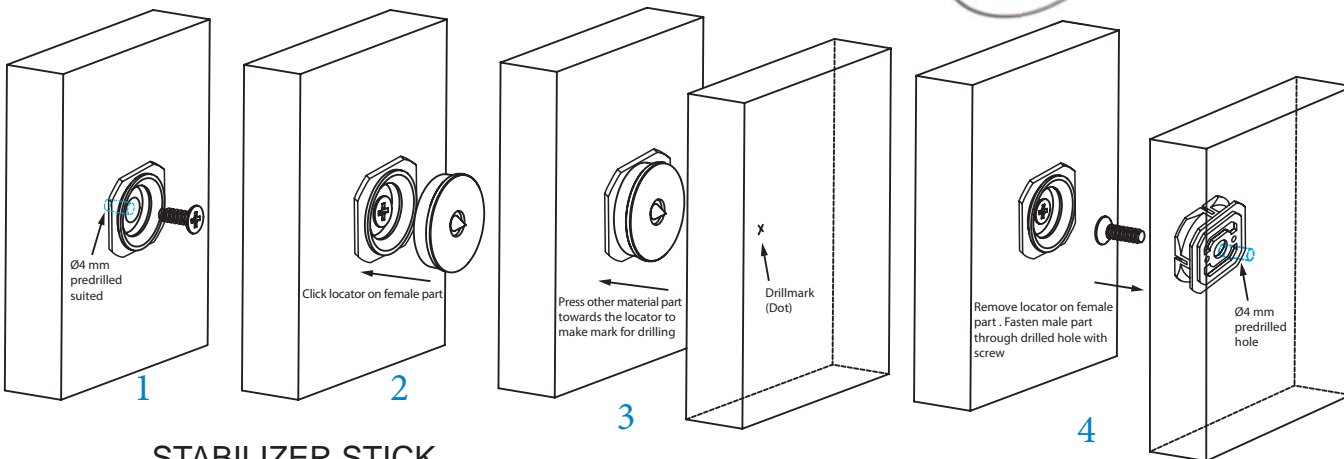
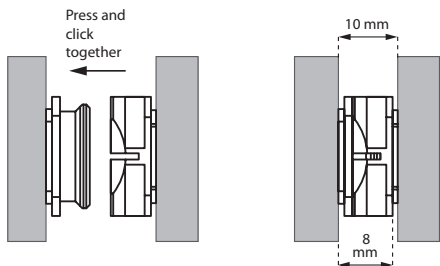
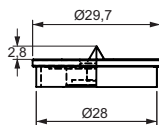
Male



Female



Locator button



STABILIZER STICK FOR CLICK BUTTON SYSTEM

Application

Used to stabilize and strengthen the edges of the panels

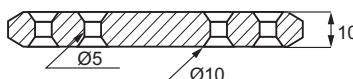
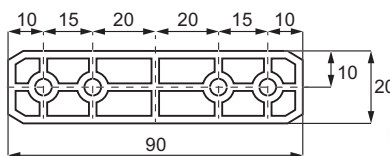
Specification

Grey PC material

Size

20 x 90 mm
Screw holes $\varnothing 5$ mm

Item No. # 11.05.825



MULTI CLIP

Multipurpose clip connector for furniture. Allows preassembly of sub-frames and fittings in the workshop.

All of the panels, once installed, can be easily removed at any time and with no special tools.

Mounted with chipboard screws.

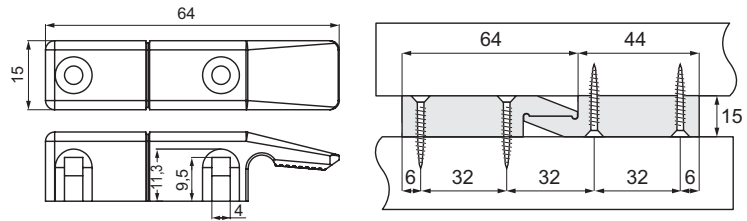
Material

PC, Black

Max load capacity pr. set

20 kg

Item No.: # 11.05.610
(1 Pce - universal)



FOR ONE CONNECTION YOU NEED 2 PCS

PANEL CONNECTOR RV 3

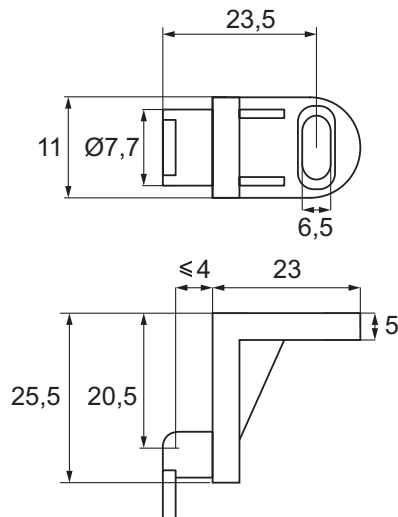
REAR PANEL CONNECTOR RV 3

Short arm for 3-5 mm rear panel
Apply screw 5 - 5,5 mm

Item No.

Brown # 11.05.500

White # 11.05.501



REAR PANEL CONNECTOR VB-500

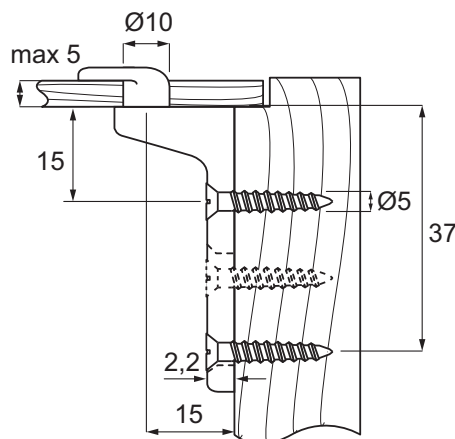
REAR PANEL CONNECTOR VB-500

Long arm for rear panel max 5 mm
Apply screw 3,5 mm & 5,5 mm

Material

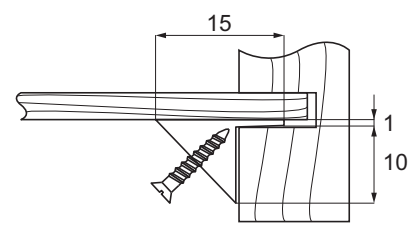
Zamak nickel plated

Item No. # 11.05.520



STABILIZER F/DRAWERS & BACK PANELS

Material
Plastic - White
W/Premounted screw # 11.05.700



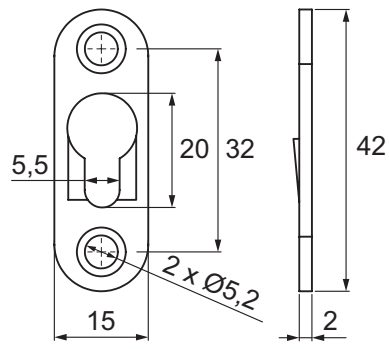
KEYHOLE FIXTURE MODEL 726

KEYHOLE FIXTURE MODEL 726

Stamped fitting made of heavy gauge steel for mounting pictures, shelves, notice boards, ornaments clocks etc.
Designed to be attached to a surface or inlay, allowing a 5 mm countersunk or panhead screw to be inserted into the hole and retained by the lower narrow space, and 4 mm screw for attachment of the fixture to the panel

Material
Steel BZP

Item No. # 11.06.810



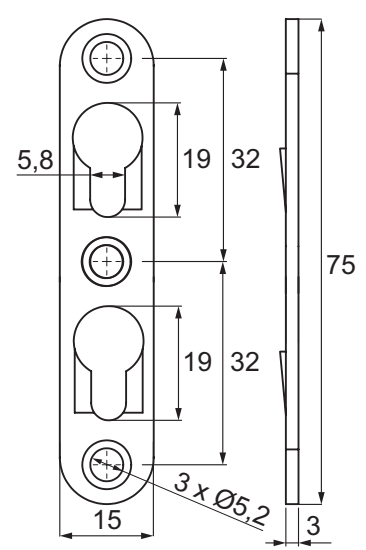
KEYHOLE FIXTURE MODEL 724

KEYHOLE FIXTURE MODEL 724

Twin hole multipurpose fitting apply 5 mm panhead or countersunk screws to be inserted and retained and 4 screw for attachment of the fixture to the panel

Material
Steel BZP

Item No. # 11.06.800



BED RAIL BRACKET MODEL 3750

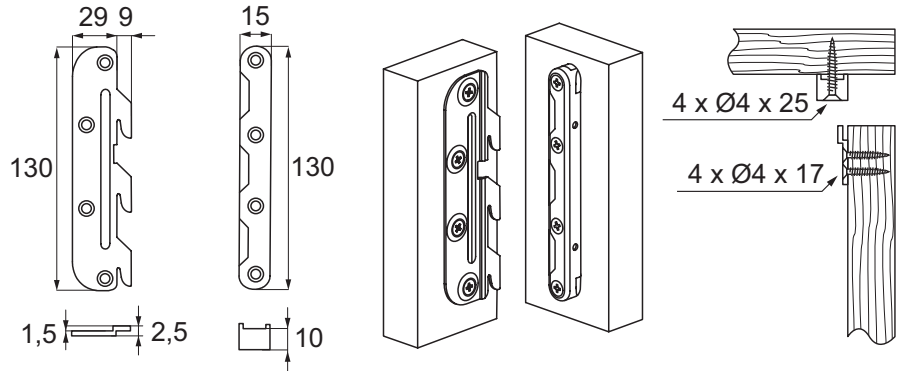
- high quality furniture fittings

BED RAIL BRACKET MODEL 3750

Material
Steel

One set consist of
4 male parts
4 female parts

Item No.
Yellow zinc plated # 11.01.060
Bright zinc plated # 11.01.061



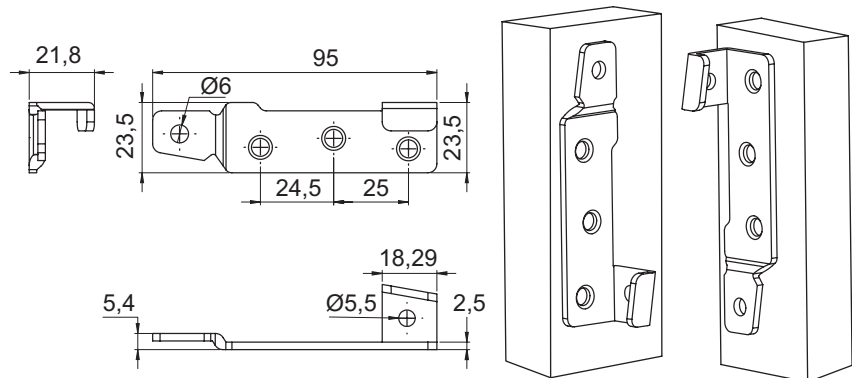
BED RAIL BRACKET MODEL 3553

BED RAIL BRACKET MODEL 3553

Material
Steel

One set consist of
4 male parts
4 female parts

Item No.
Yellow zinc plated # 11.01.010



BED RAIL BRACKET MODELS 3703 & 3704

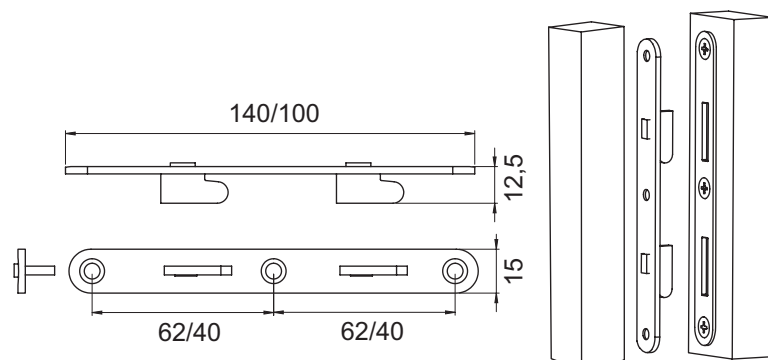
BED RAIL BRACKET MODELS 3703 & 3704

Double hooks
Rounded corner

Material
Steel

One set consist of
4 male parts
4 female parts

Item No.
Model 3703 - 100 mm
Bright zinc plated # 11.01.045
Model 3704 - 140 mm
Bright zinc plated # 11.01.035



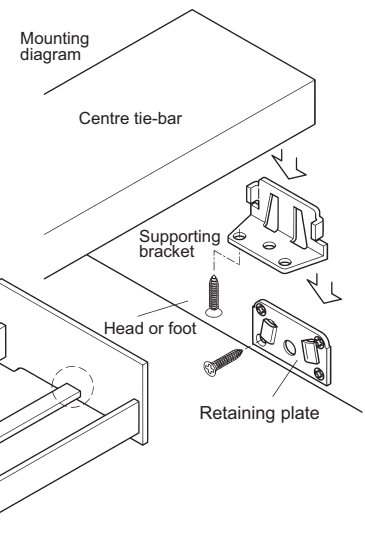
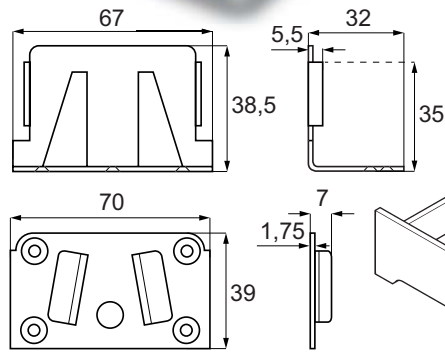
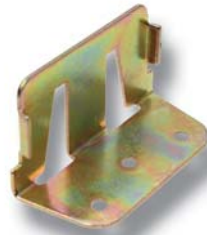
SUPPORT BRACKET MODEL 3892

SUPPORT BRACKET MODEL 3892

Material
Steel, yellow zinc plated

Item No.

Male part # 11.02.035
Female part # 11.02.040



SUPPORT BRACKET MODEL "REGULO"

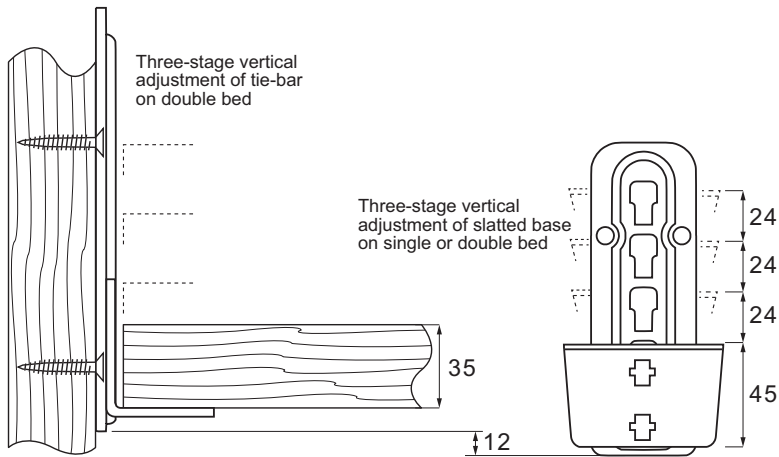
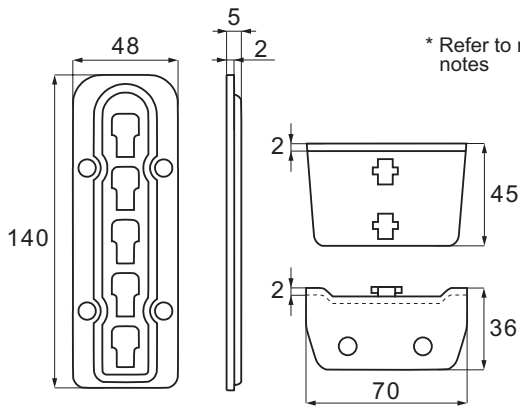
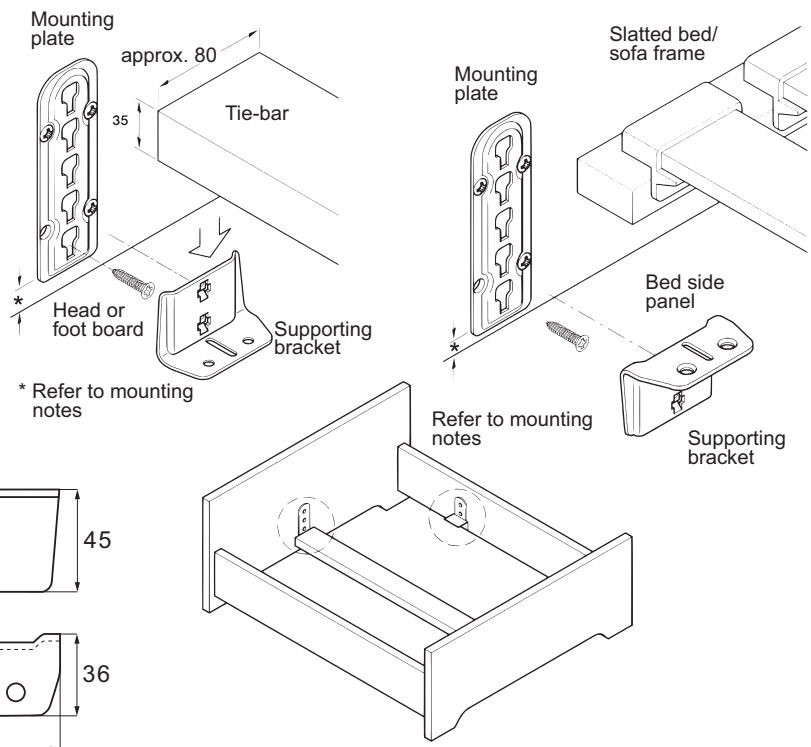
SUPPORT BRACKET MODEL "REGULO"

Material
Steel

One set consist of
1 male part
1 female part

Item No.

Yellow zinc plated # 11.01.110



JOINT CONNECTOR "ZIMAK"

- high quality furniture fittings

JOINT CONNECTOR "ZIMAK"

Apply where invisible joints of great strenght are desired such as beds, tables and other corpus constructions

Material

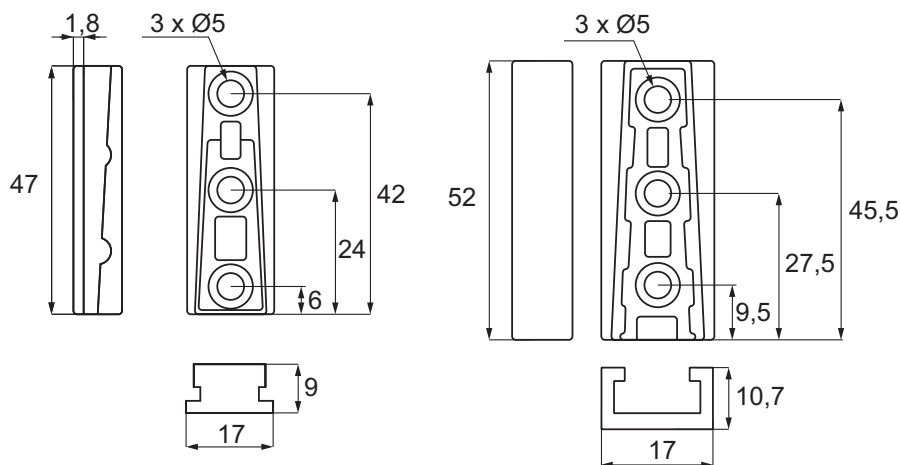
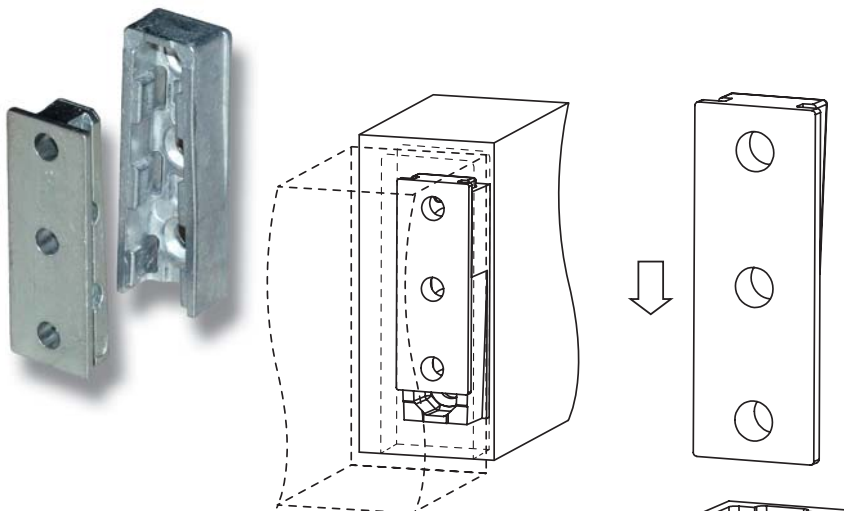
Zamak, raw

Item No.

Female part # 11.01.500

Male part # 11.01.501

Apply screws 4 - 4,5 mm for attachment of this fitting to panels



ROW CONNECTOR

ROW CONNECTOR

Ideal to connect rows of furniture such as chairs, tables etc.

Material

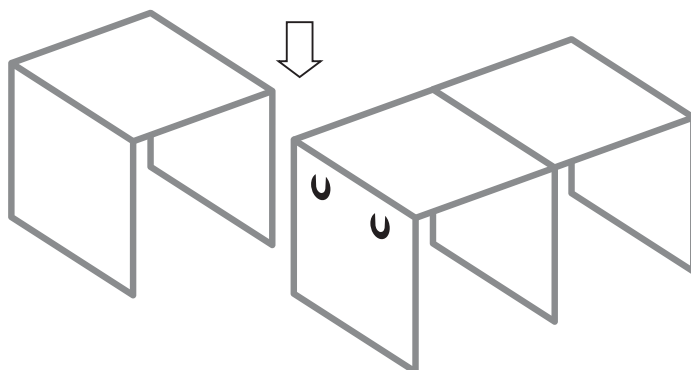
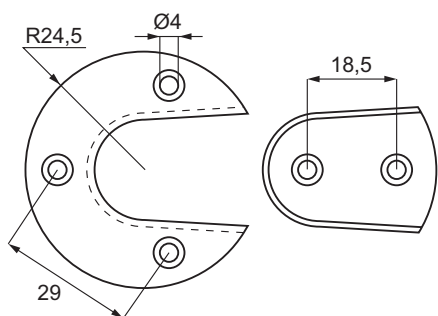
Nylon, black

Item No.

Male part # 06.05.066

Female part # 06.05.067

Screws to be bought seperately



BEECH WOOD DOWELS

BEECH WOOD DOWELS

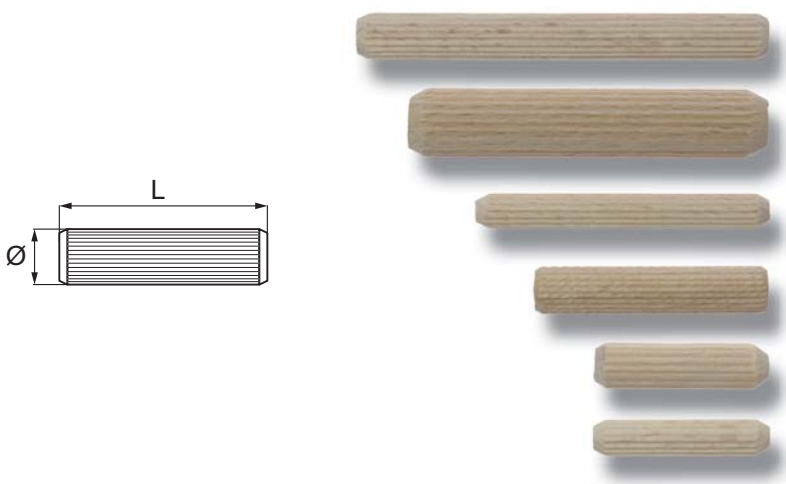
SISO wooden dowels are properly dried and manufactured according to DIN norm

Item No.

Ø x L

6 x 20 mm	# 11.06.059 (only birch)
6 x 25 mm	# 11.06.060
6 x 50 mm	# 11.06.150
8 x 30 mm	# 11.06.170
8 x 35 mm	# 11.06.180
8 x 40 mm	# 11.06.190
8 x 50 mm	# 11.06.210
10 x 35 mm	# 11.06.282
10 x 40 mm	# 11.06.291
10 x 50 mm	# 11.06.310

Other sizes up-on request.
Also available in birch on request



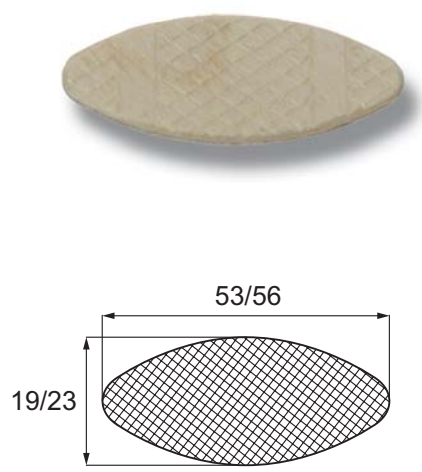
WOODEN JOINING BISCUITS

WOODEN JOINING BISCUITS

The wooden biscuits are made from cross branded laminations of compressed birch wood. Birch timber provides superior strength and consistent plate thickness suitable for joining wooden panels such as chipboard and MDF

Item No.

53 x 19 x 4 mm	# 11.06.361
56 x 23 x 4 mm	# 11.06.362



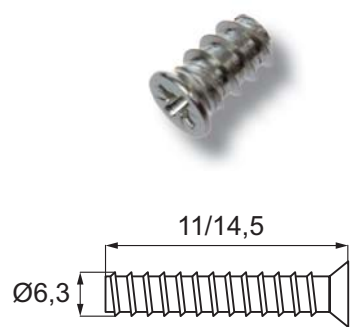
EURO SCREWS

EURO SCREWS

Item No.

Countersunk head

Ø6,3 x 11 mm	# 11.04.603
Ø6,3 x 14,5 mm	# 11.04.634

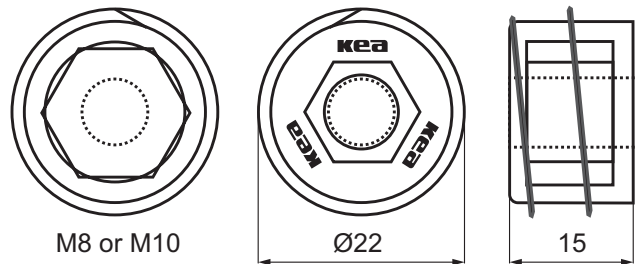




Tool for insert.
Item No. # 11.07.025

KEA SCREW-IN BUSHING W/SPRING-LOADED INTERNAL THREAD

Material	Zamak, plain	
Bore	Ø22 mm x 15 mm	
Threaded hole	M8 & M10	
Item No.	M8	# 11.07.010
	M10	# 11.07.011

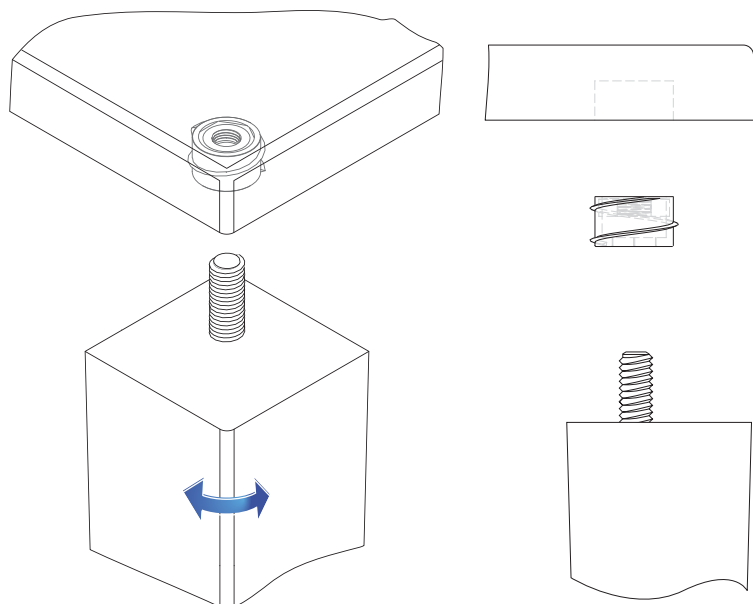


KEA BUSHING FOR TABLES

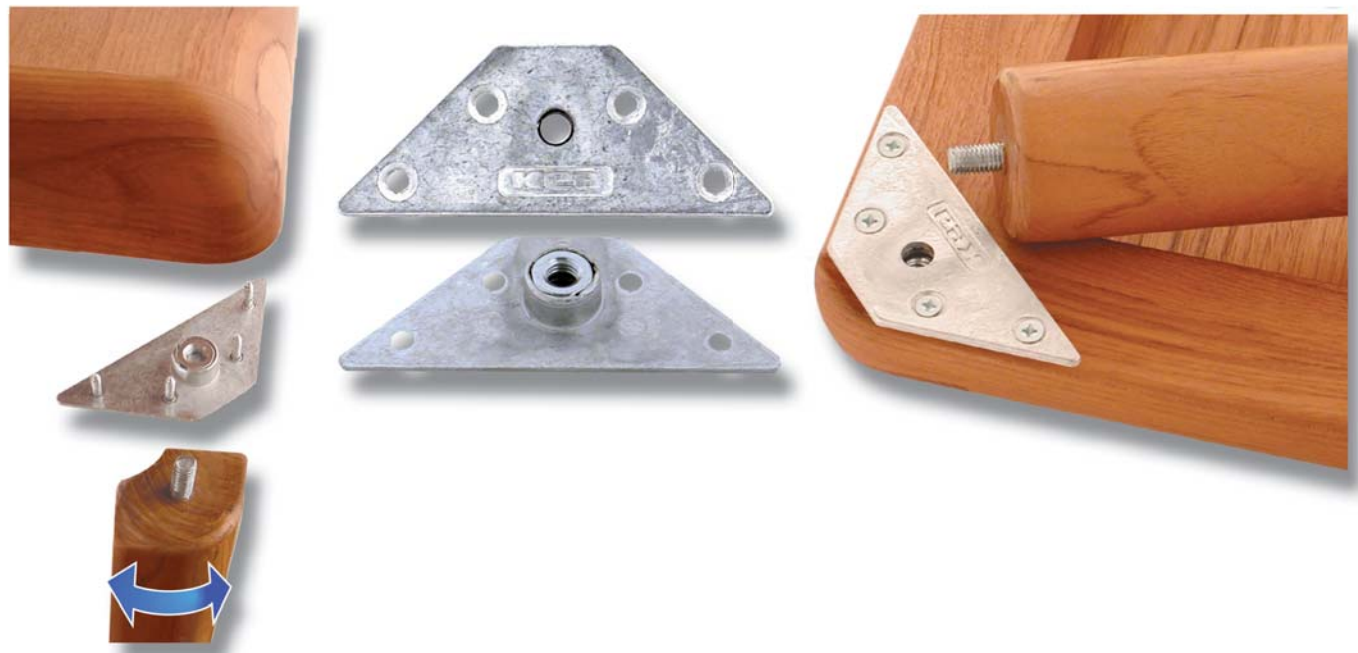
The perfect solution for coffee and dining tables.

The KEA solution gives you the possibility to tighten and adjust your table leg in any position due to its patented internal spring-loaded system. With a traditional bushing you normally reach a point where you cannot turn in the hangerbolt any further. If you then have a square table leg that has to be flush with the edge of the table you have a problem. Only by heavy force you can try to turn your table leg further and risk that the wood cracks.

This will not happen with the KEA bushing due to its patented internal spring-loaded system.

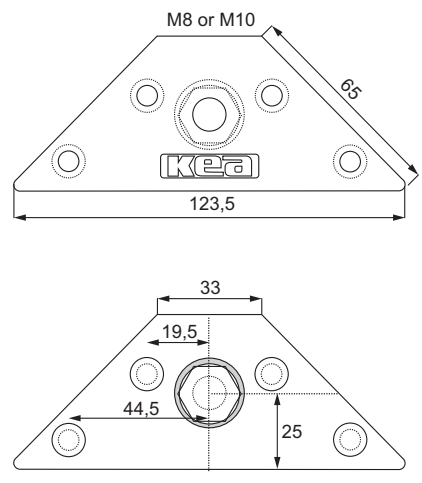


KEA SCREW-IN BUSHING

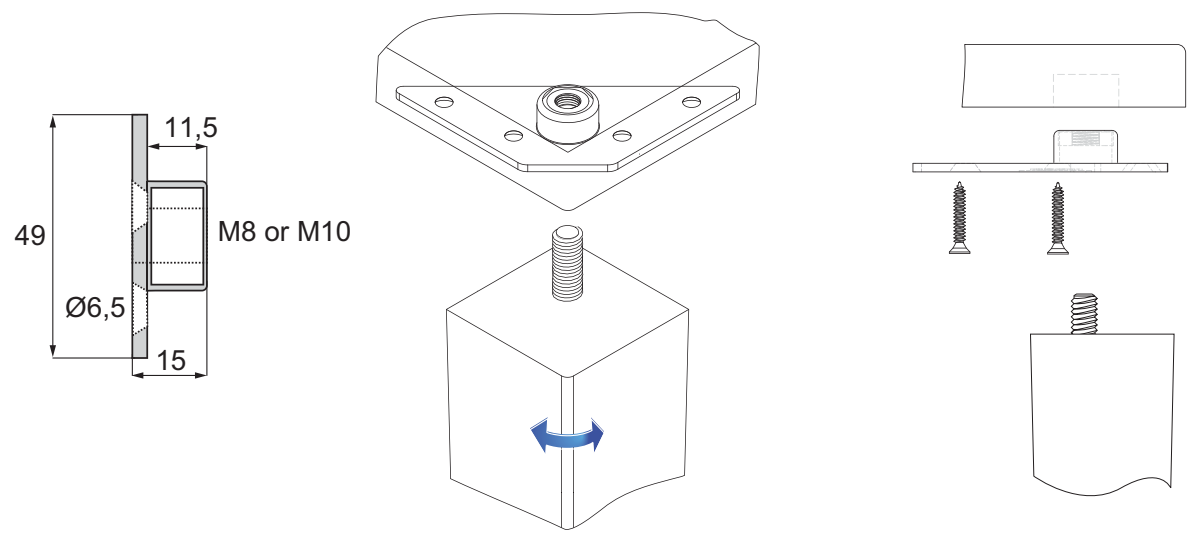


**KEA SCREW-IN BUSHING
TRIANGULAR PLATE
W/SPRING-LOADED INTERNAL THREAD**

Material	Zamak, plain	
Size	123,5 x 33 x 65 mm	
Threaded hole	M8 & M10	
Item No.	M8	# 11.07.015
	M10	# 11.07.016



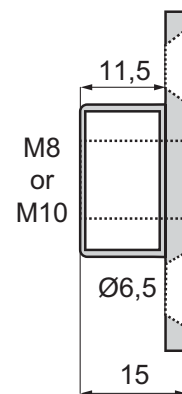
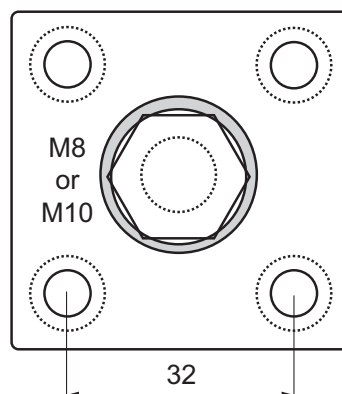
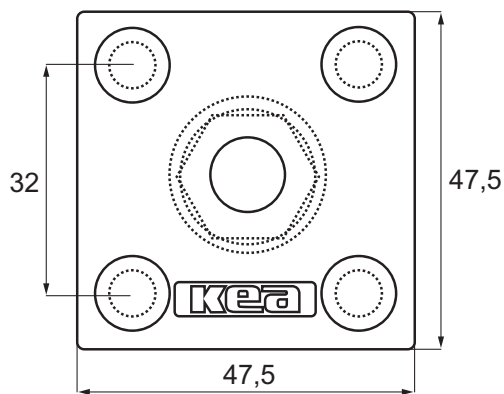
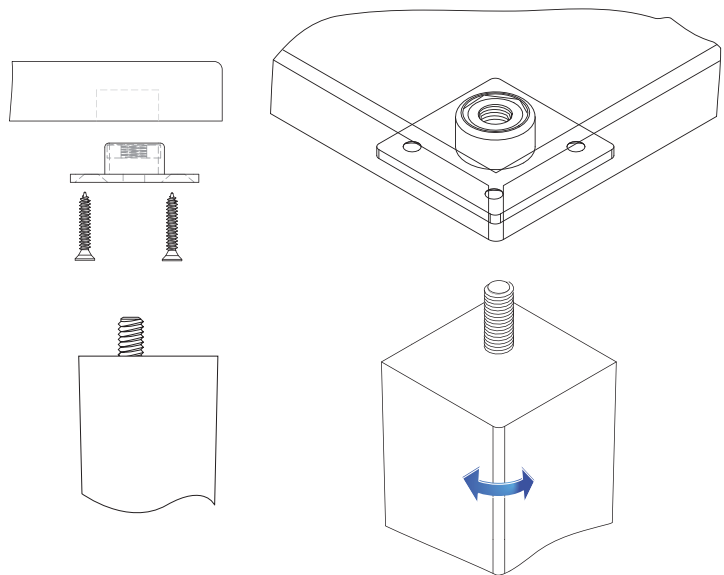
The triangular KEA has been tested by SP Swedish National Testing and Research Institute and has proven strong even for bed frame use





**KEA SCREW-IN BUSHING
SQUARE PLATE
W/SPRING-LOADED INTERNAL THREAD**

Material	Zamak, plain	
Size	47,5 x 47,5 mm	
Threaded hole	M8 & M10	
Holes	c/c 32 mm	
Item No.	M8	# 11.07.001
	M10	# 11.07.002

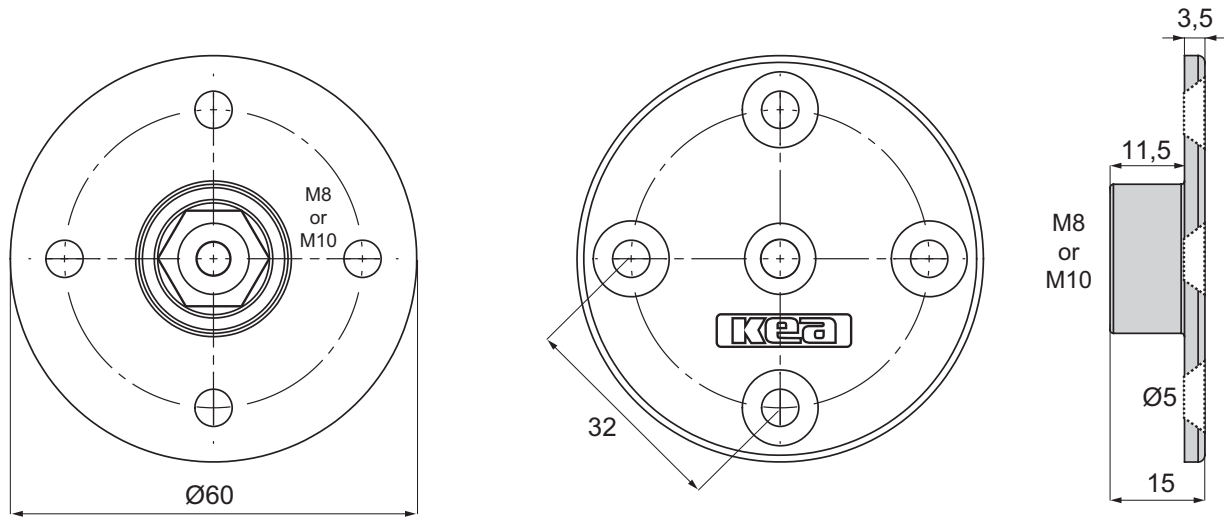
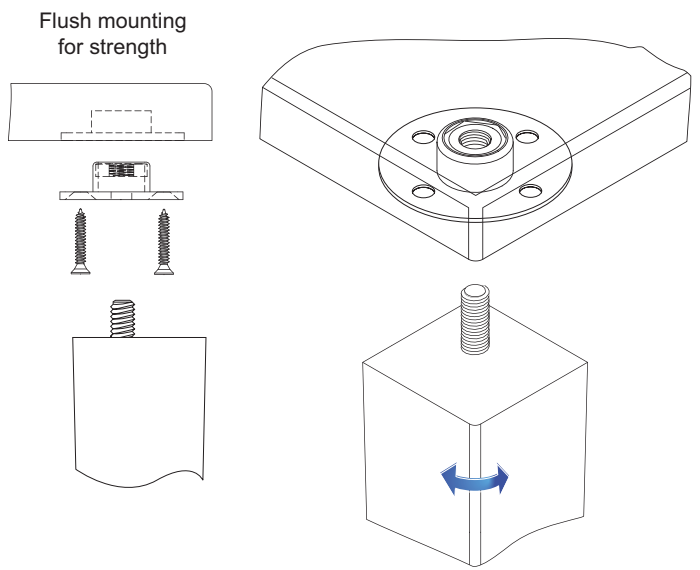


KEA SCREW-IN BUSHING



**KEA SCREW-IN BUSHING
ROUND PLATE
W/SPRING-LOADED INTERNAL THREAD**

Material	Zamak, plain	
Size	Ø60 mm	
Threaded hole	M8 & M10	
Hole	c/c 32 mm	
Item No.	M8	# 11.07.005
	M10	# 11.07.006



MODEL 21

Hight 60 mm 1 hole f/M8 or M10 bolt

Steel thickness 1,5 mm

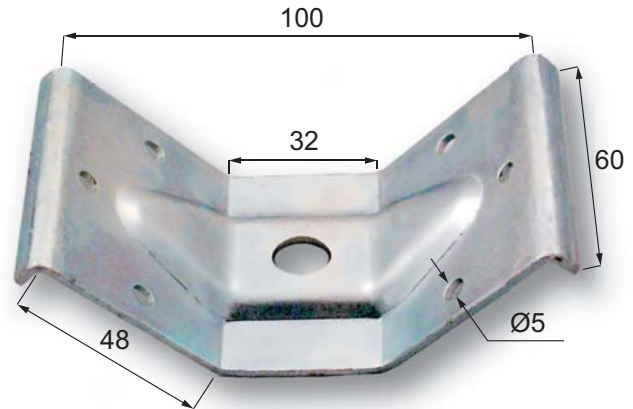
Steel, yellow zinc plated, 12 micron # 11.07.035

Steel, bright zinc plated # 11.07.030

Steel thickness 2 mm

Steel, yellow zinc plated, 12 micron # 11.07.037

Steel, bright zinc plated # 11.07.038



MODEL 22

Hight 60 mm 1 or 3 holes f/M8 or M10 bolt

1 hole, steel thickness 2 mm

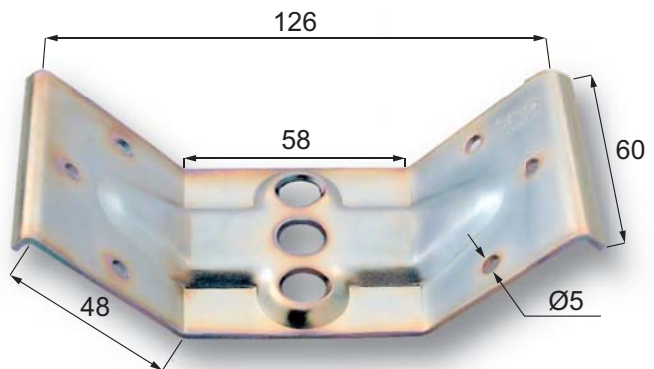
Steel, yellow zinc plated, 12 micron # 11.07.042

Steel, bright zinc plated # 11.07.040

3 hole, steel thickness 2 mm

Steel, yellow zinc plated, 12 micron # 11.07.043

Steel, bright zinc plated # 11.07.041



MODEL 23

Hight 40 mm 1 hole f/M8 or M10 bolt

Steel thickness 1,5 mm

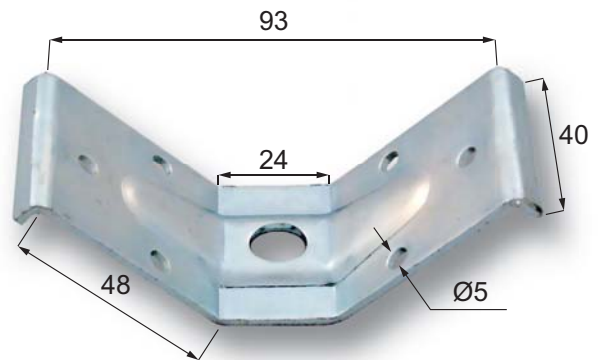
Steel, yellow zinc plated, 12 micron # 11.07.051

Steel, bright zinc plated # 11.07.050

Steel thickness 2 mm

Steel, yellow zinc plated, 12 micron # 11.07.056

Steel, bright zinc plated # 11.07.055



MODEL 26

Hight 50 mm 1 hole f/M8 or M10 bolt

Steel thickness 1,5 mm

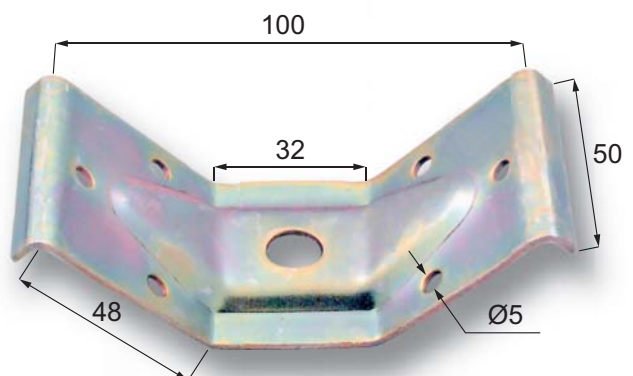
Steel, yellow zinc plated, 12 micron # 11.07.061

Steel, bright zinc plated # 11.07.060

Steel thickness 2 mm

Steel, yellow zinc plated, 12 micron # 11.07.066

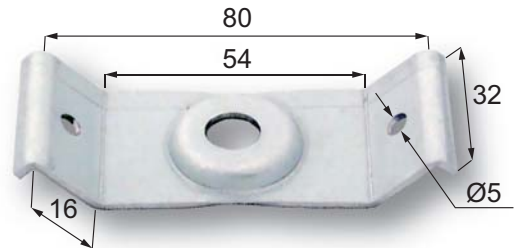
Steel, bright zinc plated # 11.07.065



LEG CORNER BRACKETS

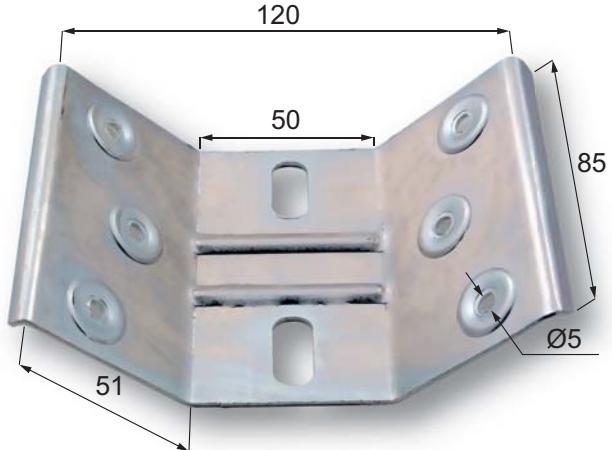
MODEL 27

Hight 32 mm 1 hole f/M8 or M10 bolt
Steel thickness 2 mm
 Steel, yellow zinc plated, 12 micron # 11.07.071
 Steel, bright zinc plated # 11.07.070



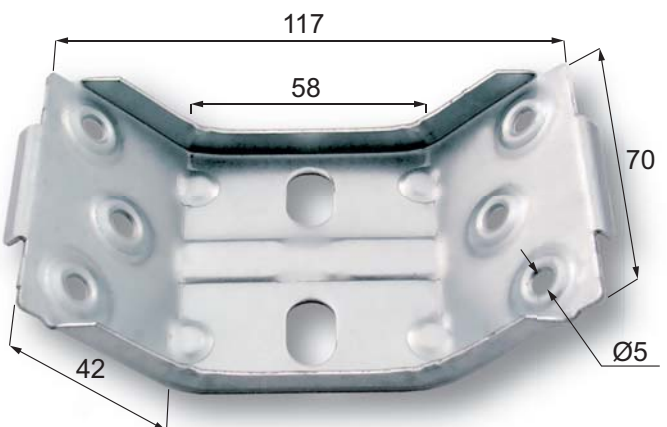
MODEL 28

Hight 85 mm 2 holes f/M8 or M10 bolt
Steel thickness 2 mm
 Steel, yellow zinc plated, 12 micron # 11.07.075
 Steel, bright zinc plated # 11.07.076



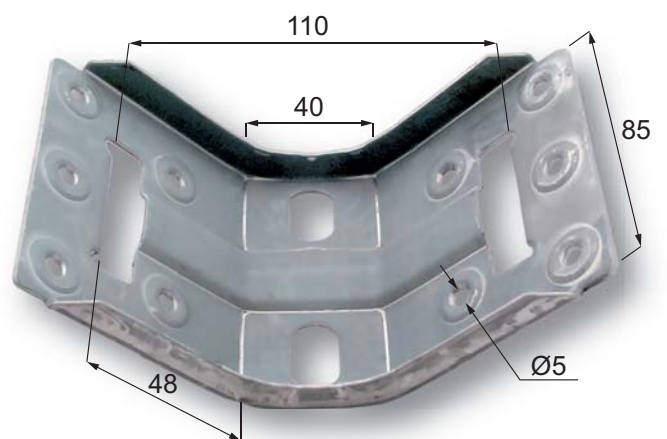
MODEL 29

Hight 70 mm 2 holes f/M8 or M10 bolt
Steel thickness 1,5 mm
 Steel, yellow zinc plated, 12 micron # 11.07.080
 Steel, bright zinc plated # 11.07.081



MODEL 30

Hight 85 mm 2 holes f/M8 or M10 bolt
Steel thickness 1,5 mm
 Steel, yellow zinc plated, 12 micron # 11.07.090
 Steel, bright zinc plated # 11.07.091



HANGERBOLTS

Material	Steel		
Finish	Yellow zinc or bright zinc plated		
Size	Item No.	Size	Item No.
M4 x 25 mm	# 12.13.000	M8 x 100 mm	# 12.13.037/38
M4 x 50 mm	# 12.13.001	M10 x 50 mm	# 12.13.150
M6 x 50 mm	# 12.13.006/08	M10 x 60 mm	# 12.13.160/61
M6 x 60 mm	# 12.13.016/17	M10 x 70 mm	# 12.13.170
M8 x 50 mm	# 12.13.022/23	M10 x 80 mm	# 12.13.180
M8 x 60 mm	# 12.13.027	M10 x 90 mm	# 12.13.190
M8 x 70 mm	# 12.13.031/32	M10 x 100 mm	# 12.13.200
M8 x 80 mm	# 12.13.035	M10 x 120 mm	# 12.13.205

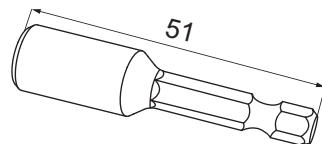
Other sizes on request



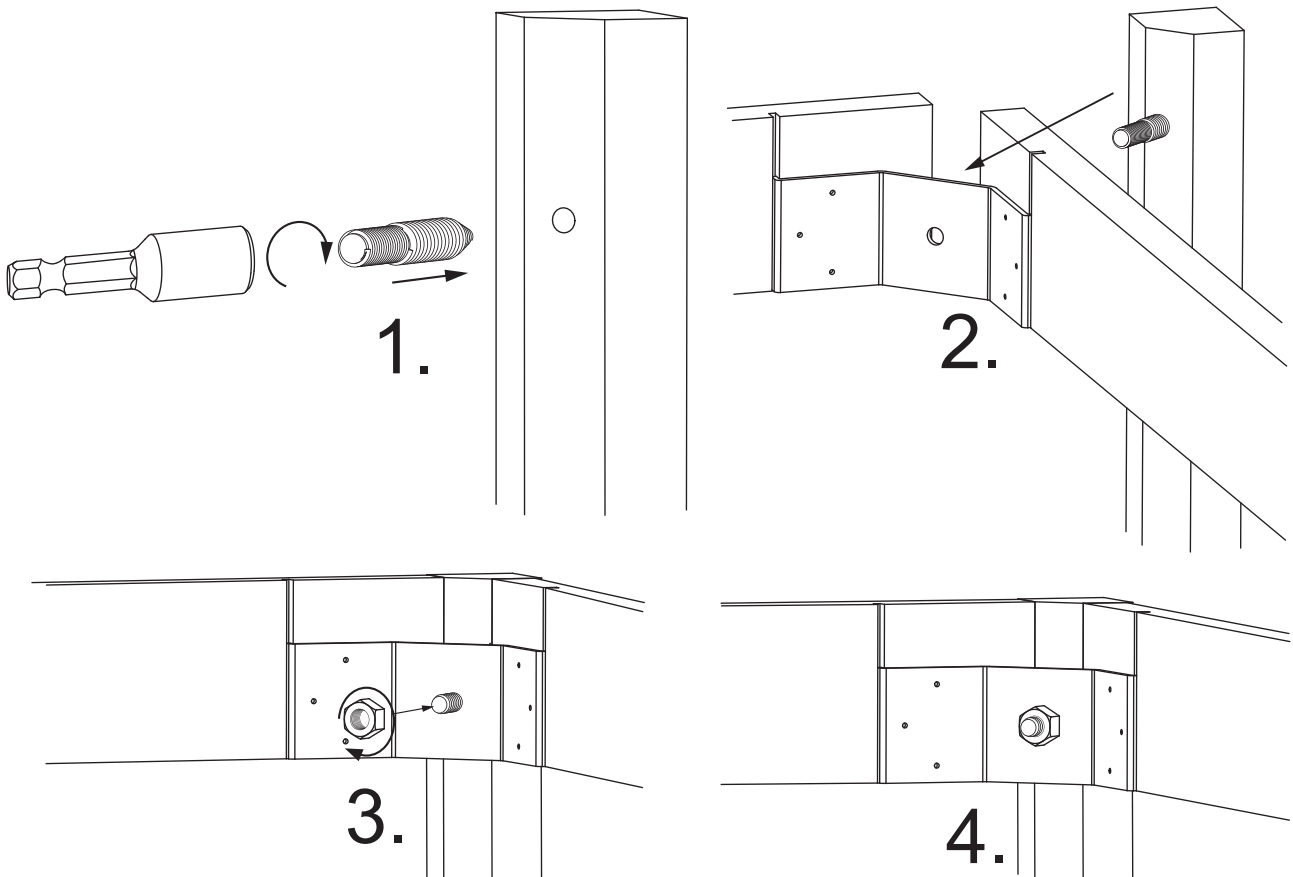
M4 to M10

TOOL FOR INSERTING HANGERBOLTS

Size	Item No.
M6	# 12.13.100
M8	# 12.13.105
M10	# 12.13.115



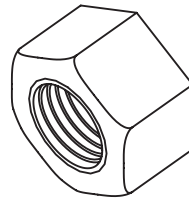
M6 to M10



HEXAGONAL NUT, WING NUTS & WASHERS

HEXAGONAL NUT DIN 934

Material	Steel
Finish	Yellow zinc or bright zinc
Item No.	
Size	
M6	# 12.11.905/906
M8	# 12.12.015/016
M10	# 12.12.026/027

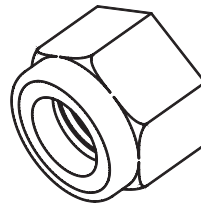


M6 to M10



HEXAGONAL NUT W/NYLON RING DIN 985

Material	Steel & nylon
Finish	Yellow zinc or bright zinc
Item No.	
Size	
M6	# 12.12.421
M8	# 12.12.440
M10	# 12.12.445

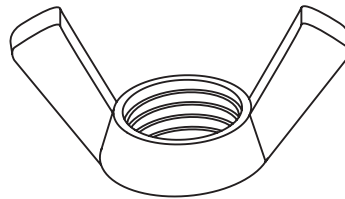


M6 to M10



WING NUT

Material	Steel
Finish	Yellow zinc or bright zinc
Item No.	
Size	
M6	# 12.12.050/051
M8	# 12.12.055/058
M10	# 12.12.060/061



M6 to M10



WASHERS

Material	Steel, Yellow Zinc Plated or Bright Zinc Plated, Brass, Natural Stainless Steel, Natural
Sizes	Inner diameter 6,4/8,4 & 10,5 mm
Type	Flat washer DIN 125-A Spring washer DIN 127 Serrated lock washer DIN 6798A
Item No.	12.13.294 etc.

Spring washer



Serrated lock washer

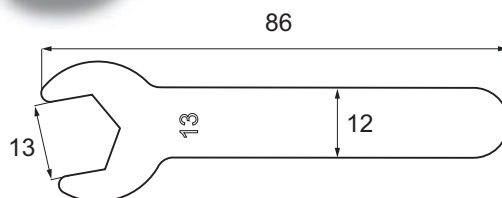


Flat washer



WRENCH KEY F/HEX NUTS

Material	Steel, yellow zinc plated
Hex	8 mm (other on request)
Item No.	
Hardened steel	# 12.06.155
Unhardened steel	# 12.06.150



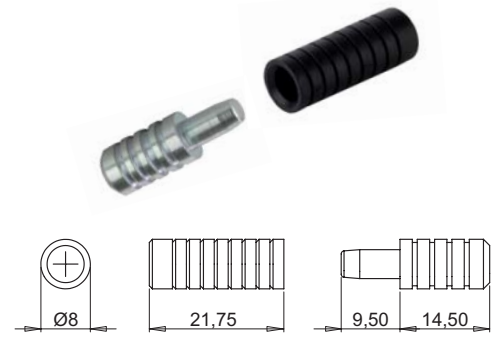
LOCATING PIN "SMAG"

Application:

Locating pin with integrated hold function. Ideal for connecting table tops, without using a classic table catch.

Material: Steel & plastic
Size: Ø8 x 36,30 mm
Finish: Yellow zinc plated & black

Item No.: Female # 11.06.865
 Male # 11.06.866



LOCATING PINS

Material: Zamak
Size: Ø8 x 21 mm
Finish: Yellow Zinc 2-3 Micron
Item No.: Male & Female # 11.06.870

Material: Brass
Size: Ø8 x 21,5 mm
Finish: Natural
Item No.: Male # 11.06.855
 Female # 11.06.856

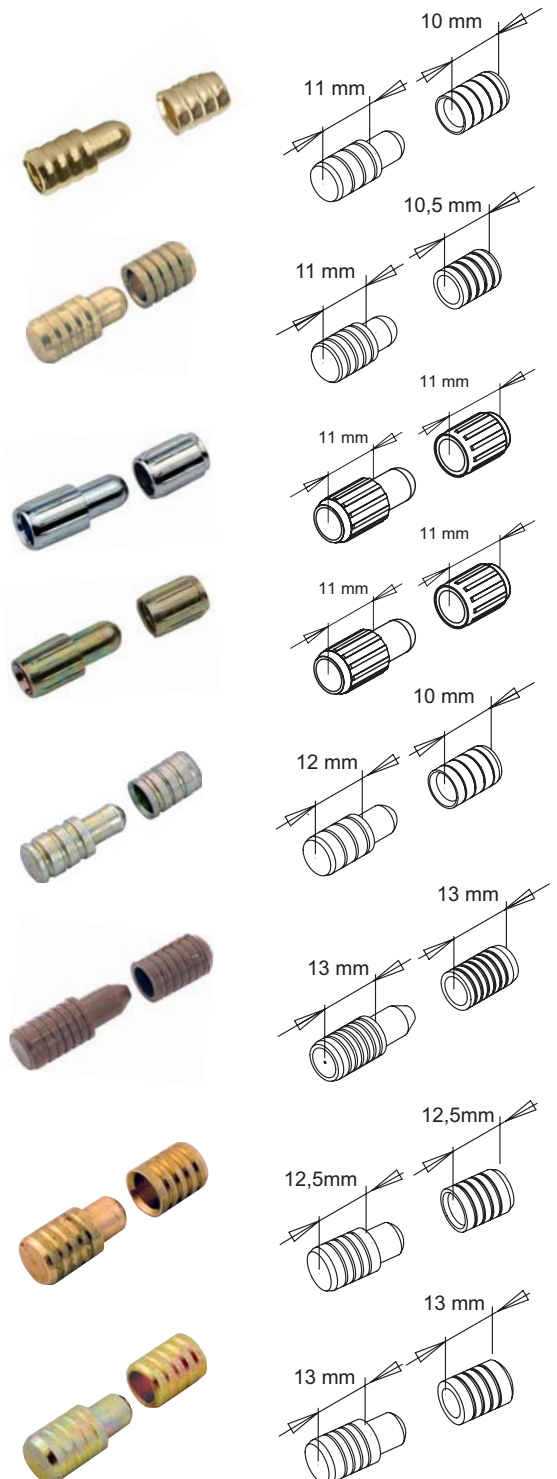
Material: Steel
Size: Ø8 x 22 mm
Finish: Yellow Zinc 12 Micron or Bright Zinc 3 Micron
Item No.: Male - BZP # 11.06.846
 Female - BZP # 11.06.845
 Male - YZP # 11.06.850
 Female - YZP # 11.06.849

Material: Steel
Size: Ø8 x 22 mm
Finish: Yellow Zinc 12 Micron
Item No.: Male & Female # 11.06.851

Material: Nylon
Size: Ø8 x 26 mm
Finish: Brown
Item No.: Male # 11.06.890
 Female # 11.06.891

Material: Brass
Size: Ø10 x 25 mm
Finish: Natural
Item No.: Male # 11.06.857
 Female # 11.06.858

Material: Steel
Size: Ø10 x 26,2 mm
Finish: Yellow Zinc 2-3 Micron
Item No.: Male & Female # 11.06.854



THREADED BOLTS

Material	Steel, yellow zinc plated (other finishes on request) Stainless Steel, Natural Brass, Natural
Thread	M6 or M8
Lengths	From 18 up to 1000 mm
Item No.	# 12.08.123 etc.



Steel, (YZP)

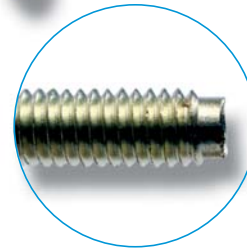
FIFTEEN SCREWS

Material	Steel, yellow zinc plated (other finishes on request) Stainless Steel AISI 316 Brass, Natural
Head size	Ø15 x 2,5 mm (Ø13 & 17 mm on request)
Hex size	4 mm
Thread	M6 (M8 on request)
Lengths	25/30/35/40/45/50/60/70/80/90/100 & 120 mm
Type	With 3 mm point or conical (see illustration)
Item No.	# 12.00.791 etc.



Stainless Steel
AISI 316

Steel, (YZP)



Conical



Point

FIFTEEN WOOD SCREWS

Material	Steel, yellow zinc plated (other finishes on request)
Head size	Ø15 x 2,5 mm
Hex size	4 mm
Thread	Ø6,3 mm
Lengths	40/50/60 & 70 mm (other sizes on request)
Type	With point (see illustration)
Item No.	# 12.01.340 etc.



Stainless Steel
AISI 316

Steel, (YZP)



Point

MUSHROOM SCREWS

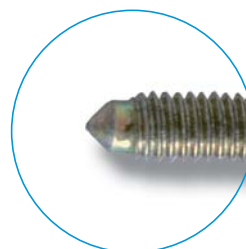
Material	Steel, yellow zinc or black oxidized Other materials & finishes on request
Head size	Ø15 mm
Hex size	4 mm (5 mm on request)
Thread	M6 (M8 on request)
Lengths	12/16/20/23/30/32/38/45/50/60/63/90 mm (other lengths on request)
Type	Blunt (Point on request)
Item No.	# 12.03.110 etc.



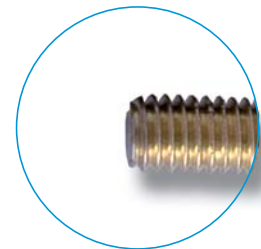
Blunt

INSEX SCREWS

Material	Steel, yellow zinc, brass plated or black oxidized Other materials & finishes on request
Head size	Ø12 x 4 mm (counter sunk)
Hex size	4 mm
Thread	M6 (M8 and M10 on request)
Lengths	32/35/38/44/50/51/57/60/63/76/90/ 100/120/126 mm (other lengths on request)
Type	Pointed or blunt (see illustration)
Item No.	# 12.04.004 etc.



Point



Blunt

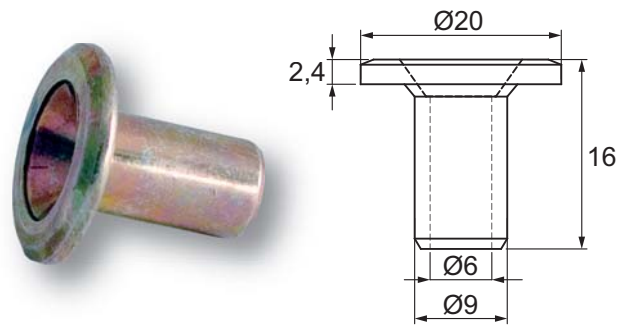
VARIOUS STAINLESS STEEL SCREWS, NUTS & WASHERS

Ask for any screw, nut & washer in stainless steel
and we will quote you. No stock item.
All on request



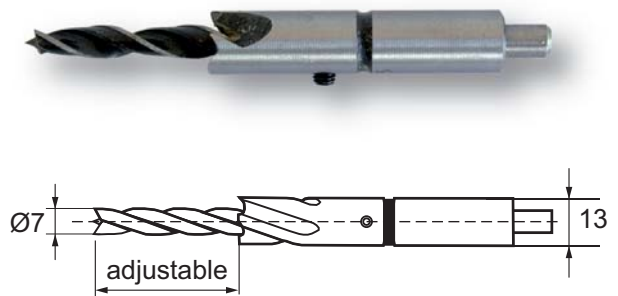
INSEX COLLARS - STEEL W/SHAFT

Material Steel, yellow zinc plated
Size Ø20 x 16 mm x M6
Item No. # 12.05.070



DRILL BIT F/INSEX SCREWS & COLLARS

Twin set boring bits for Ø7 mm and Ø13 mm in one operation
Item No. # 12.18.010



INSEX KEYS

Material Steel, hardened
Hex 4 or 5 mm or combi key with 4 & 5 mm
Finish Bright zinc plated (BZP) or black zinc plated
Type L-shaped or Z-shaped

Type	Size	Hex	Finish	Item No.
L-shaped	23 x 65 mm	4 mm	Black	# 12.06.010
L-shaped	28 X 65 mm	4 mm	BZP	# 12.06.015
L-shaped	31 X 75 mm	5 mm	BZP	# 12.06.021
Z-shaped	23 X 43 mm	4 mm	BZP	# 12.06.035
Z-shaped	22 X 48 mm	5 mm	BZP	# 12.06.040
Z-shaped	35 X 50 mm	4 & 5 mm	BZP	# 12.06.027

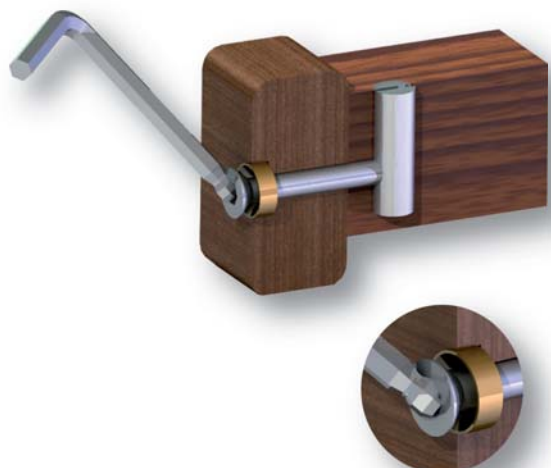


INSEX KEYS W/BALL POINT



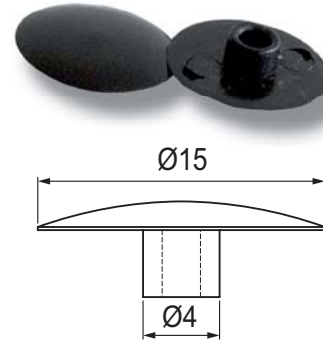
Material Steel, bright zinc plated
Hex 4, 5 or 6 mm
Type L-shaped

Type	Size	Hex	Finish	Item No.
L-shaped	28 x 73 mm	4 mm	BZP	# 12.06.061
L-shaped	15 X 65 mm	5 mm	BZP	# 12.06.063
L-shaped	16 X 63 mm	6 mm	BZP	# 12.06.062



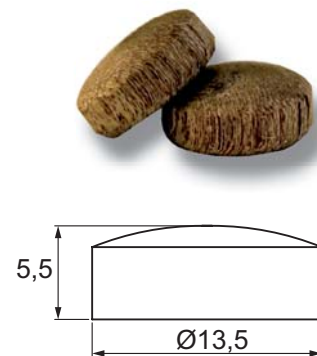
INSEX COVER CAP

Material	Plastic, black
Head size	Ø 12 mm, dome
Pin	Ø4,2 mm for 4 mm hex hole
Item No.	# 12.05.005



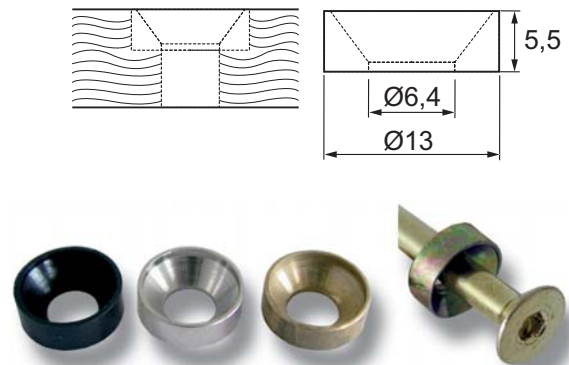
INSEX WOOD PLUGS

Material	Teak wood (other wood types on request)
Size	Ø13,5 x 5,5 mm
Item No.	# 12.05.020



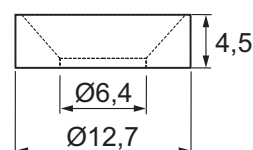
INSEX COLLARS - BRASS

Material	Brass
Size	Ø13 x 4,5 mm x M6
Item No.	
Brass Natural	# 12.05.036
Brass Black Oxidized	# 12.05.039
Brass Nickel Plated	# 12.05.038



INSEX COLLARS - NYLON

Material	Nylon, Black
Size	Ø12,7 x 4,5 mm x M6
Item No.	# 12.05.040

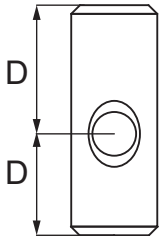
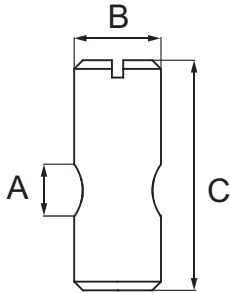


CROSS DOWELS

CROSS DOWELS



Bright zinc plated



Stainless steel



Brass

Yellow zinc plated



Material Steel, brass or stainless steel

Type With slot

Finish Steel, yellow zinc plated (YZP)
Bright zinc plated (BZP), brass, natural
Stainless steel, (SS), natural

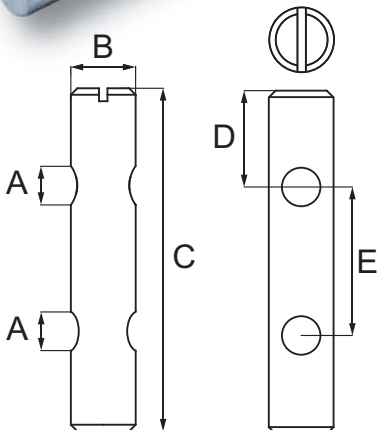
D* Distance from centre of hole to edge

A	B	C	D*	Material	Finish	Item No.
M6	Ø 10 mm	13 mm	8/5 mm	Steel	Plain	# 12.07.006
M6	Ø 10 mm	14 mm	8/6 mm	Steel	BZP/YZP	# 12.07.030/31
M6	Ø 10 mm	14 mm	8/6 mm	Brass	Natural	# 12.07.041
M6	Ø 10 mm	14 mm	8/6 mm	SS	Natural	# 12.07.043
M6	Ø 10 mm	16 mm	10/6 mm	Steel	YZP	# 12.07.044
M6	Ø 10 mm	18 mm	12/6 mm	Steel	YZP/BZP	# 12.07.327/328
M6	Ø 10 mm	30 mm	20/10 mm	Steel	BZP	# 12.07.350
M6	Ø 10 mm	20 mm	10/10 mm	Steel	BZP/YZP	# 12.07.070/071
M6	Ø 10 mm	25 mm	12,5/12,5 mm	Steel	BZP	# 12.07.110
M6	Ø 10 mm	30 mm	15/15 mm	Steel	BZP	# 12.07.150
M6	Ø 10 mm	40 mm	20/20 mm	Steel	BZP	# 12.07.230
M6	Ø 10 mm	45 mm	22,5/22,5 mm	Steel	BZP	# 12.07.270
M8	Ø 12 mm	20 mm	10/10 mm	Steel	YZP	# 12.07.287
M8	Ø 12 mm	25 mm	12,5/12,5 mm	Steel	BZP	# 12.07.288
M8	Ø 12 mm	30 mm	15/15 mm	Steel	YZP	# 12.07.289
M8	Ø 12 mm	50 mm	25/25 mm	Steel	BZP/YZP	# 12.07.291/92
M8	Ø 12 mm	60 mm	30/30 mm	Steel	BZP	# 12.07.325

CROSS DOWEL NO. 3250 W/2 HOLES



Bright zinc plated



Material Steel

Type With slot

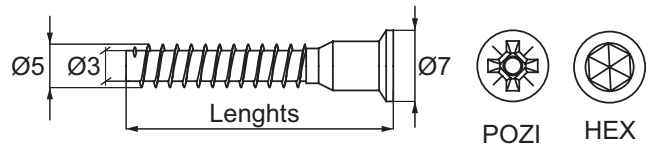
Finish Steel, Bright zinc plated (BZP)

D* Distance from centre of hole to edge

A	B	C	D*	E	Material	Finish	Item No.
M6	Ø 10 mm	60 mm	14 mm	c.c. 32 mm	Steel	BZP	# 12.07.465
M6	Ø 10 mm	60 mm	10 mm	c.c. 40 mm	Steel	BZP	# 12.07.500
M6	Ø 10 mm	82 mm	9 mm	c.c. 64 mm	Steel	BZP	# 12.07.570

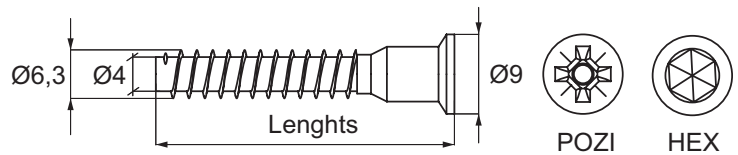
SCREWS Ø5 MM

Material	Steel, bright zinc plated (other materials & finishes on request)
Thread	Ø5 mm
Lengths	30/40 mm or 50 mm
Type	Pozidrive or 3 mm hex (see illustration) With & without hole for cover cap
Item No.	# 12.17.005 etc.



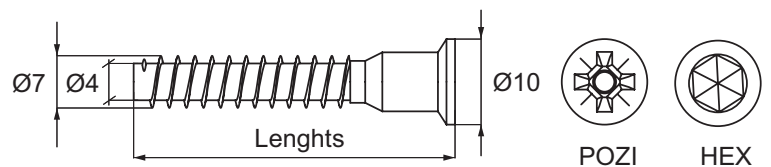
SCREWS Ø6,3 MM

Material	Steel, bright zinc plated (other materials & finishes on request)
Thread	Ø6,3 mm
Lengths	40 mm or 50 mm
Type	Pozidrive or 4 mm hex (see illustration) With & without hole for cover cap
Item No.	# 12.17.021 etc.



SCREWS Ø7 MM

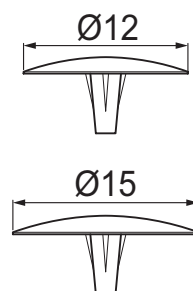
Material	Steel, bright zinc plated (other materials & finishes on request)
Thread	Ø7 mm
Lengths	40/45/50/60/70/85 mm
Type	Pozidrive or 4 mm hex (see illustration) With & without hole for cover cap
Item No.	# 12.17.027 etc.



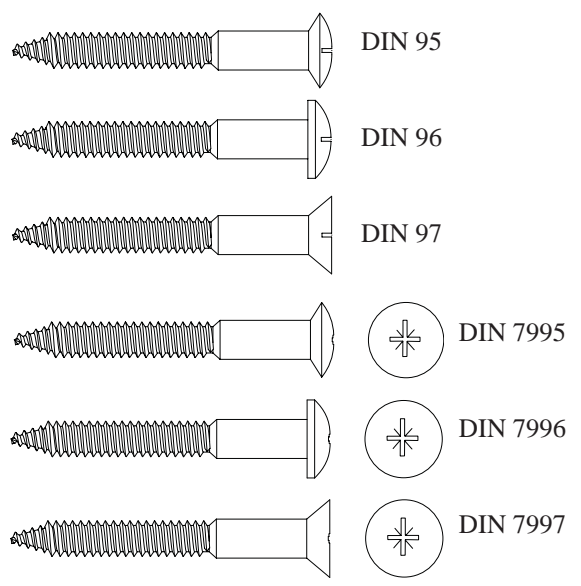
COVER CAPS F/SCREWS

Ø5 MM, 6,3 MM & 7 MM

Material	Plastic, White, black, grey, brown, teak (other colours on request)
Size	Ø12 or Ø15 mm
Item No.	# 12.17.180 etc.

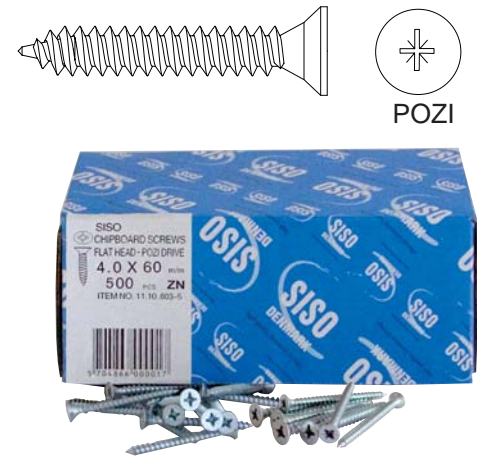


Material	Brass, Stainless Steel, Steel, Yellow Zinc Plated
Diameter	From Ø1,6 mm up to Ø6,0mm
Length	From 8 mm up to 120 mm
Type	Slotted with oval head DIN 95, round head DIN 96 or countersunk head DIN 97 Pozidrive with oval head DIN 7995, round head DIN 7996 or countersunk head DIN 7997
Item No.	11.07.603 etc.



CHIPBOARD SCREWS DIN 7505

Material	Steel, Zinc Plated (other materials & finishes on request)
Thread	From Ø3 mm up to Ø6 mm
Lengths	From 12 mm up to 180 mm
Type	Pozidrive with countersunk head (see illustration)
Item No.	# 11.10.511 etc.
Packing	SISO box packing or bulk (see illustration)



DOUBLE POINTED STEEL NAILS

Application	As a concealed connector for slats	
Material	Steel, Yellow Zinc Plated	
Sizes	Ø3,5 x 9 x 15 mm	# 12.20.040
	Ø4,0 x 13 x 18 mm	# 12.20.050
Mounting	By use of self-made steel tube with slot. Inner diameter Ø 3,5 - 4,0 mm. Tube is to be inserted into your drilling machine.	



BRASS COMBIFIX HEADS

- high quality furniture fittings

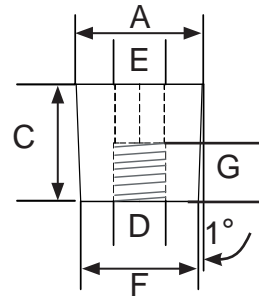


BRASS COMBIFIX HEAD #1106 M6 WITHOUT COLLAR

Material Brass
Finish Brass, Natural

Type No collar but with 5 mm open hex hole

A	B	C	D	E	F	G	Item No.
Ø13 mm	0 mm	10 mm	M6	5 mm	Ø12 mm	5 mm	# 12.09.690

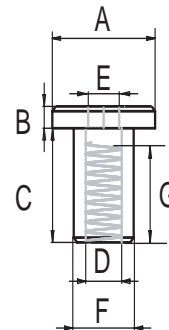


BRASS COMBIFIX HEAD #1007 M6 W/OPEN HEX HOLE

Material Brass
Finish Brass, Natural

Type Flat head with 5 mm open hex hole

A	B	C	D	E	F	G	Item No.
Ø12 mm	2 mm	10 mm	M6	5 mm	Ø8 mm	7 mm	# 12.09.090

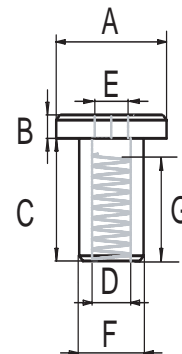


BRASS COMBIFIX HEAD #1011 M6 W/OPEN HEX HOLE

Material Brass
Finish Brass, Natural

Type Flat head with 5 mm open hex hole

A	B	C	D	E	F	G	Item No.
Ø15 mm	2,25 mm	9 mm	M6	5 mm	Ø9 mm	7 mm	# 12.09.130

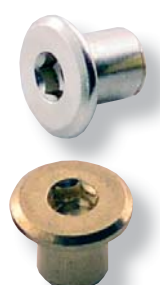
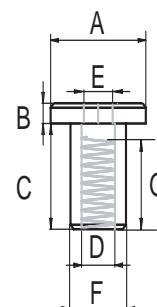


BRASS COMBIFIX HEAD #1011 M6 W/CLOSED HEX HOLE

Material Brass
Finish Brass Plated (BPL) or Nickel Plated (NPL)

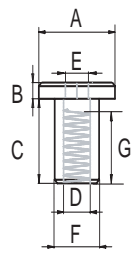
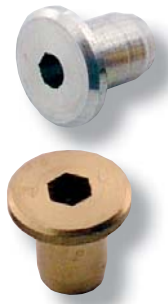
Type Flat head with 5 mm closed hex hole

A	B	C	D	E	F	G	NPL	BPL
Ø15 mm	2 mm	10 mm	M6	5 mm	Ø9 mm	7 mm	# 12.09.132	# 12.09.131



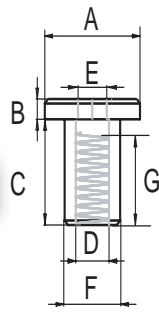
BRASS COMBIFIX HEADS

BRASS COMBIFIX HEAD #1012 M6 W/OPEN HEX HOLE



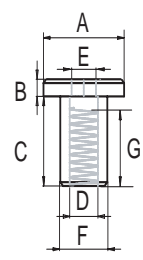
Material	Brass or Stainless Steel (SS) AISI 304								
Finish	Brass, Natural and SS, Natural								
Type	Flat head with 4 or 5 mm open hex hole								
A	B	C	D	E	F	G	SS	Brass	
Ø15 mm	2,25 mm	11,75 mm	M6	5 mm	Ø9 mm	8,5 mm	on request	# 12.09.170	
Ø15 mm	2,25 mm	11,75 mm	M6	4 mm	Ø9 mm	7 mm	# 12.09.175	on request	

BRASS COMBIFIX HEAD #1013 M6 W/OPEN HEX HOLE



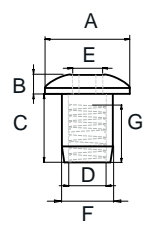
Material	Brass								
Finish	Brass, Natural								
Type	Flat head with 5 mm open hex hole								
A	B	C	D	E	F	G	SS	Brass	
Ø15 mm	2,25 mm	18 mm	M6	5 mm	Ø9 mm	12 mm	# 12.09.208	# 12.09.210	

BRASS COMBIFIX HEAD #1013 M6 W/CLOSED HEX HOLE



Material	Brass							
Finish	Brass Plated (BPL) or Nickel Plated (NPL)							
Type	Flat head with 5 mm closed hex hole							
A	B	C	D	E	F	G	BPL	
Ø15 mm	2 mm	18 mm	M6	5 mm	Ø9 mm	13 mm	# 12.09.212	

BRASS COMBIFIX HEAD #1015 M6 W/OPEN HEX HOLE



Material	Brass or Stainless Steel (SS) AISI 304								
Finish	Brass, Natural and SS, Natural								
Type	Dome head with 5 mm open hex hole								
A	B	C	D	E	F	G	SS	Brass	
Ø13 mm	2,50 mm	10,50 mm	M6	5 mm	Ø8 mm	9 mm	# 12.09.265	# 12.09.250	

BRASS COMBIFIX HEADS

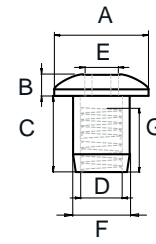
- high quality furniture fittings



BRASS COMBIFIX HEAD #1015 M6 W/CLOSED HEX HOLE

Material Brass
Finish Brass Plated (BPL) or Nickel Plated (NPL)
Type Dome head with 5 mm closed hex hole

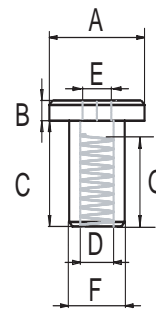
A	B	C	D	E	F	G	NPL	BPL
Ø13 mm	3 mm	10 mm	M6	5 mm	Ø8 mm	6 mm	# 12.09.252	# 12.09.251



BRASS COMBIFIX HEAD #1031 M6 W/OPEN HEX HOLE

Material Brass
Finish Brass, Natural
Type Flat head with 5 mm open hex hole

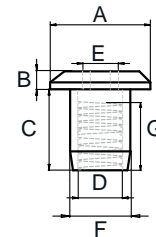
A	B	C	D	E	F	G	Item No.
Ø19 mm	2 mm	12 mm	M6	5 mm	Ø9 mm	10 mm	# 12.09.410



BRASS COMBIFIX HEAD #1042 M6 W/OPEN HEX HOLE

Material Brass
Finish Brass, Natural
Type Flat head with 5 mm open hex hole

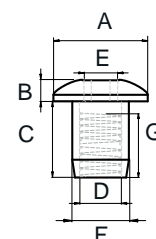
A	B	C	D	E	F	G	Item No.
Ø19 mm	2 mm	8 mm	M6	5 mm	Ø9 mm	6,5 mm	# 12.09.490



BRASS COMBIFIX HEAD #1046 M6 W/OPEN HEX HOLE

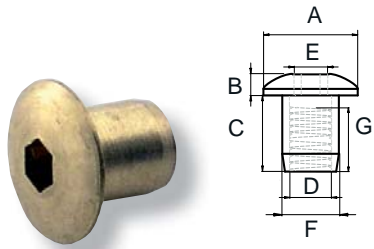
Material Brass
Finish Brass, Natural
Type Dome head with 5 mm open hex hole

A	B	C	D	E	F	G	Item No.
Ø19 mm	3 mm	10 mm	M6	5 mm	Ø9 mm	7,5 mm	# 12.09.530



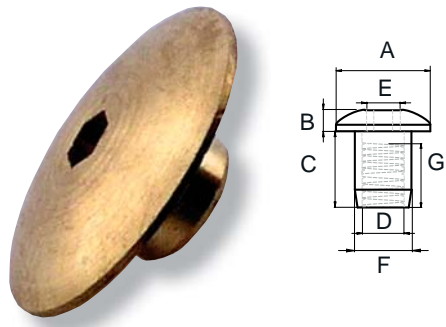
BRASS & STEEL COMBIFIX HEADS

BRASS COMBIFIX HEAD #1060 M8 W/OPEN HEX HOLE



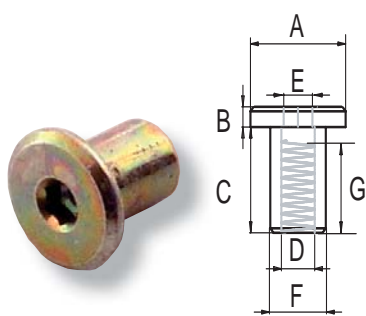
Material	Brass						
Finish	Brass, Natural						
Type	Dome head with 5 mm open hex hole						
A	B	C	D	E	F	G	Item No.
Ø17 mm	2,50 mm	11,5 mm	M8	5 mm	Ø10 mm	8 mm	# 12.09.570

BRASS COMBIFIX HEAD #1062 M8 W/OPEN HEX HOLE



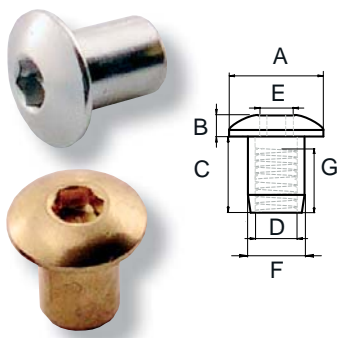
Material	Brass						
Finish	Brass, Natural						
Type	Dome head with 5 mm open hex hole						
A	B	C	D	E	F	G	Item No.
Ø30 mm	4 mm	7 mm	M8	5 mm	Ø12 mm	6 mm	# 12.09.610

STEEL COMBIFIX HEAD # F-563 M6 W/CLOSED HEX HOLE



Material	Steel							
Finish	Brass Plated (BPL) or Yellow Zinc Plated 12 micron (YZP)							
Type	Flat head with 4 or 5 mm closed hex hole							
A	B	C	D	E	F	G	BPL	YZP
Ø15 mm	2 mm	12 mm	M6	4 mm	Ø9 mm	7 mm	# 12.09.750	# 12.09.696
Ø15 mm	2 mm	12 mm	M6	5 mm	Ø9 mm	7 mm	# 12.09.700	on request
Ø15 mm	2 mm	18 mm	M6	4 mm	Ø9 mm	13 mm	on request	# 12.09.800
Ø15 mm	2 mm	18 mm	M6	5 mm	Ø9 mm	13 mm	# 12.09.802	on request

STEEL COMBIFIX HEAD # D-564 M6 W/CLOSED HEX HOLE



Material	Steel								
Finish	Brass Plated (BPL) or Nickel Plated (NPL)								
Type	Dome head with 5 mm closed hex hole								
A	B	C	D	E	F	G	NPL	BPL	
Ø15 mm	2,5 mm	12 mm	M6	5 mm	Ø9 mm	7 mm	# 12.09.829	on request	
Ø15 mm	2,5 mm	15 mm	M6	5 mm	Ø9 mm	10 mm	on request	# 12.09.864	

STEEL COMBIFIX HEADS

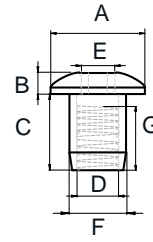
- high quality furniture fittings



STEEL COMBIFIX HEAD # D-597 M6 W/CLOSED HEX HOLE

Material Steel
Finish Brass Plated (BPL) or Black oxidized (BLK)
 (other finishes on request)
Type Dome head with 5 mm closed hex hole

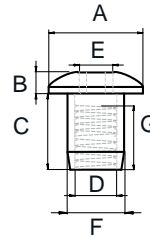
A	B	C	D	E	F	G	BPL	BLK
Ø20 mm	3 mm	18 mm	M6	5 mm	Ø9 mm	12 mm	# 12.09.937	# 12.09.935



STEEL COMBIFIX HEAD # D-637 M6 W/CLOSED HEX HOLE

Material Steel
Finish Yellow Zinc Plated 2-3 micron (YZP)
 (other finishes on request)
Type Dome head with 5 mm Closed hex hole

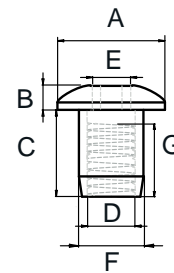
A	B	C	D	E	F	G	YZP
Ø15 mm	4 mm	8 mm	M6	5 mm	Ø8 mm	5 mm	# 12.09.815



STEEL COMBIFIX HEAD # D-595 M8 W/CLOSED HEX HOLE

Material Steel
Finish Brass Plated (BPL), Black oxidized (BLK)
 Bronze Plated (BRZ) or Nickel Plated (NPL)
Type Dome head with 5 mm closed hex hole

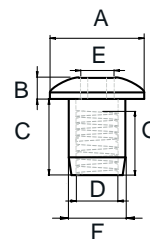
A	B	C	D	E	F	G	BPL	BLK
Ø20 mm	3 mm	16 mm	M8	5 mm	Ø10 mm	12 mm	# 12.09.930	# 12.09.932
							NPL	BRZ
Ø20 mm	3 mm	16 mm	M8	5 mm	Ø10 mm	12 mm	# 12.09.933	# 12.09.934



STEEL COMBIFIX HEAD # D-602 M10 W/CLOSED HEX HOLE

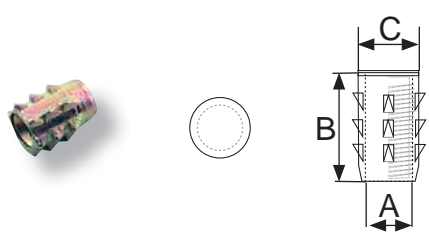
Material Steel
Finish Nickel Plated (NPL)
 (other finishes on request)
Type Dome head with 5 mm closed hex hole

A	B	C	D	E	F	G	NPL
Ø20 mm	4 mm	13 mm	M10	5 mm	Ø13 mm	9 mm	# 12.09.950



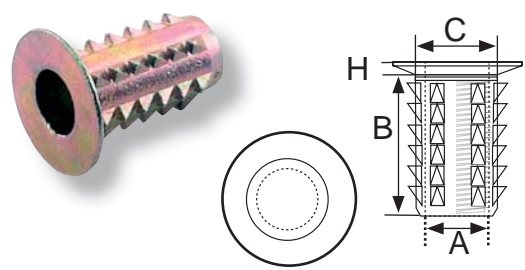
BUSHINGS

KNOCK IN BUSHING »A«



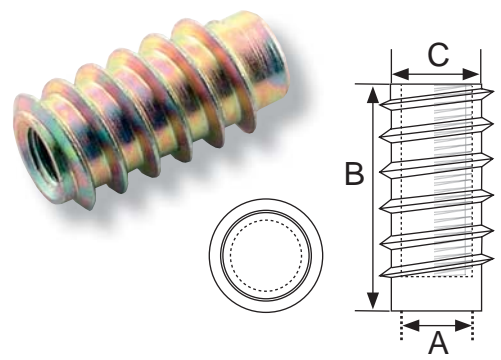
Material	Zamak, Yellow Zinc Plated (YZP)				
Type	Knock in. No collar				
A	B	C	Finish	Item No.	
M4	10 mm	Ø5 mm	YZP	# 12.09.990	

KNOCK IN BUSHING »BI«



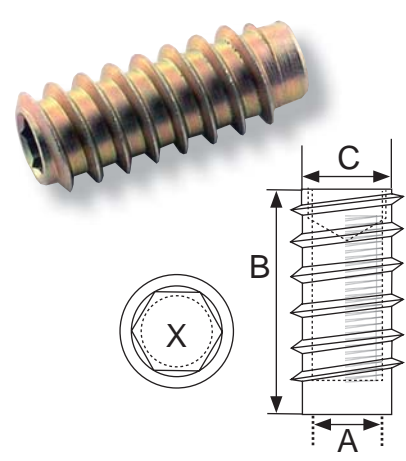
Material	Zamak, Yellow Zinc Plated (YZP)				
Type	Knock in. With countersunk collar				
A	B	C	H = Head	Finish	Item No.
M8	20 mm	Ø10 mm	Ø19 x 3 mm	YZP	# 12.10.000

SCREW IN BUSHING »BL«



Material	Steel, Yellow Zinc Plated (YZP)				
Type	Screw in by use of insert tool # 12.10.315. Closed end & no collar				
A	B	C	Finish	Item No.	
M8	30 mm	Ø11,5 mm	YZP	# 12.10.179	
M8	39 mm	Ø11,5 mm	YZP	# 12.10.180	

SCREW IN BUSHING »BL SK«



Material	Steel, Yellow Zinc Plated (YZP)				
Type	Screw in by use of hex key. Closed end & no collar				
A	B	C	X = Hex	Finish	Item No.
M8	30 mm	Ø11,5 mm	8 mm	YZP	# 12.10.176
M8	39 MM	Ø11,5 mm	8 mm	YZP	# 12.10.177

BUSHINGS

- high quality furniture fittings

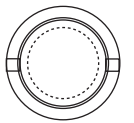
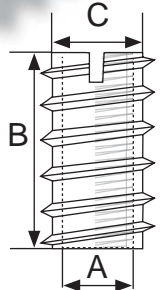


SCREW IN BUSHING »C«

Material Brass, Natural or Steel, Yellow Zinc Plated (YZP) or Bright Zinc Plated (BZP)

Type Screw in with slot. No collar

A	B	C	Brass	A	B	C	YZP
M4	8,0 mm	Ø4,75 mm	# 12.10.002	M6	10 mm	Ø8 mm	# 12.10.075
M6	14,5 mm	Ø8 mm	# 12.10.106	M6	12 mm	Ø8 mm	# 12.10.095
A	B	C	BZP	A	B	C	YZP
M4	10 mm	Ø6 mm	# 12.10.008	M6	24 mm	Ø9 mm	# 12.10.109
M8	15 mm	Ø10 mm	# 12.10.151	M8	20 mm	Ø10 mm	# 12.10.175

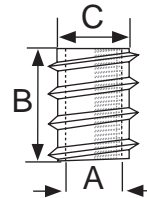
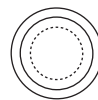


SCREW IN BUSHING »CV«

Material Steel, Yellow Zinc Plated (YZP)

Type Screw in by use of hex key. No collar

A	B	C	YZP
M6	12 mm	Ø8 mm	# 12.10.096
M6	15 mm	Ø8 mm	# 12.10.097

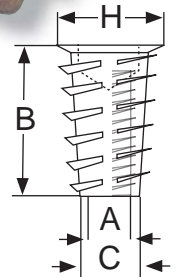


SCREW IN BUSHING »D«

Material Zamak, Yellow Zinc Plated (YZP)

Type Screw in by use of hex key. With collar

A	B	C	H = Head	Finish	X = Hex	Item No
M4	10 mm	Ø5,5 mm	Ø8,5 mm	YZP	4 x 3,5 mm	# 12.10.185
M5	10 mm	Ø7 mm	Ø11 mm	YZP	5 x 3,5 mm	# 12.10.186
M6	10 mm	Ø8 mm	Ø12 mm	YZP	6 x 3,5 mm	# 12.10.188
M6	13 mm	Ø8 mm	Ø12 mm	YZP	6 x 3,5 mm	# 12.10.191
M6	16 mm	Ø8 mm	Ø12 mm	YZP	6 x 3,5 mm	# 12.10.195
M6	20 mm	Ø8 mm	Ø12 mm	YZP	6 x 3,5 mm	# 12.10.211
M8	13 mm	Ø10 mm	Ø14,5 mm	YZP	8 x 4,5 mm	# 12.10.215
M8	20 mm	Ø10 mm	Ø14,5 mm	YZP	8 x 5,5 mm	# 12.10.217
M10	25 mm	Ø12 mm	Ø16 mm	YZP	10 x 7,0 mm	# 12.10.219

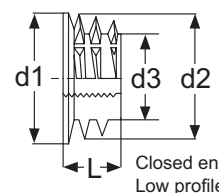
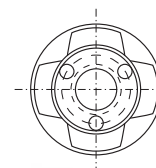


LOW PROFILE SCREW IN BUSHING

The only insert on the market especially designed with a very low profile for application in thin material such as veneer and plywood.

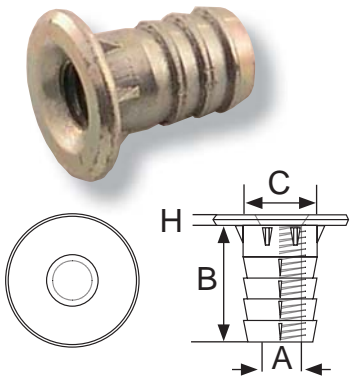
Item No.
M6 X 6/7 mm
Yellow Zinc Plated # 12.10.500

Thread size	M6x1
d1	16 mm
d2	15,1 mm
d3	10,2 mm
L	7 mm
Pilot hole size	Ø12,7-13,1 mm



BUSHINGS

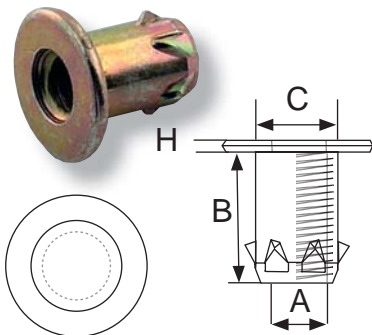
KNOCK IN BUSHING »DR«



Material Steel, Yellow Zinc Plated (YZP) or Bright Zinc Plated (BZP)
Type Knock in. With collar

A	B	C	H = Head	YZP	BZP
M6	14 mm	Ø8,3 mm	Ø14 x 1,5 mm	# 12.10.710	# 12.10.711
M8	16 mm	Ø10,5 mm	Ø19 x 2,5 mm	# 12.10.721	# 12.10.720
M10	17 mm	Ø12,5 mm	Ø22 x 2,5 mm	# 12.10.730	# 12.10.731

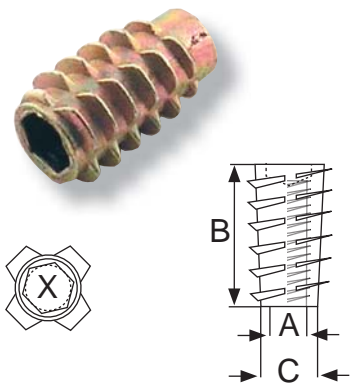
KNOCK IN BUSHING »DRN«



Material Steel, Yellow Zinc Plated (YZP) or Bright Zinc Plated (BZP)
Type Knock in. With collar

A	B	C	H = Head	YZP	BZP
M6	14 mm	Ø8,5 mm	Ø15 x 2 mm	# 12.10.712	# 12.10.713
M8	16 mm	Ø11 mm	Ø19 x 2,25 mm	# 12.10.723	# 12.10.722

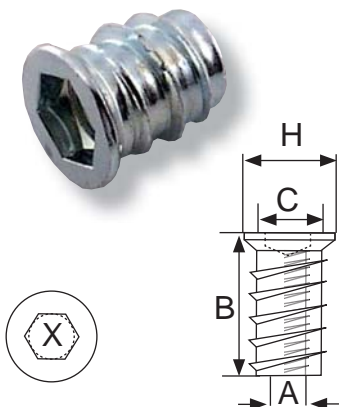
SCREW IN BUSHING »E«



Material Zamak, Yellow Zinc Plated (YZP)
Type Screw in by use of hex key. No collar

A	B	C	X = Hex	Item N0.
M6	13 mm	Ø7,5 mm	6 x 4,5 mm	# 12.10.222
M6	20 mm	Ø7,5 mm	6 x 5,7 mm	# 12.10.223
M8	13 mm	Ø10,5 mm	8 x 5,0 mm	# 12.10.225
M8	20 mm	Ø10,5 mm	8 x 5,5 mm	# 12.10.226
M8	25 mm	Ø10,5 mm	8 x 5,5 mm	# 12.10.227

SCREW IN BUSHING »M«



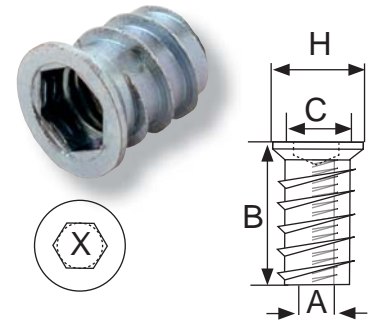
Material Steel, Bright Zinc Plated (BZP)
Type Screw in by use of hex key. With countersunk collar

A	B	C	X = Hex	H = Head	Item No.
M6	12 mm	Ø8 mm	6 X 2 mm	Ø9,8 mm	# 12.10.258
M6	12 mm	Ø8 mm	6 X 3 mm	Ø12 mm	# 12.10.259
M6	15 mm	Ø8 mm	6 X 3 mm	Ø12 mm	# 12.10.260
M6	20 mm	Ø10 mm	6 X 3 mm	Ø12 mm	# 12.10.265
M8	15 mm	Ø10 mm	8 X 3 mm	Ø14 mm	# 12.10.270
M8	20 mm	Ø10 mm	8 X 3 mm	Ø14 mm	# 12.10.290
M8	24 mm	Ø10 mm	8 X 3 mm	Ø14 mm	# 12.10.292
M10	20 mm	Ø13 mm	10 X 3 mm	Ø17 mm	# 12.10.293

SCREW IN BUSHING »MZ«

Material Zamak, Bright Zinc Plated (BZP)
Type Screw in by use of hex key. With countersunk collar

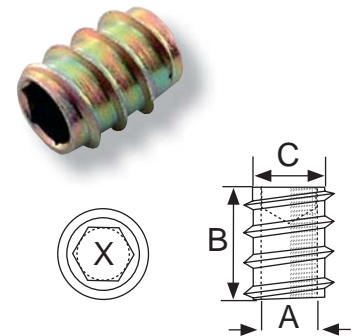
A	B	C	X = Hex	H = Head	Item No.
M6	13 mm	Ø8 mm	6 x 3,5 mm	Ø 12 mm	# 12.10.257
M8	15 mm	Ø10 mm	8 x 3,5 mm	Ø 14 mm	# 12.10.271



SCREW IN BUSHING »SK«

Material Steel, Yellow Zinc Plated (YZP) or Zamak (YZP)
Type Screw in by use of hex key. No collar

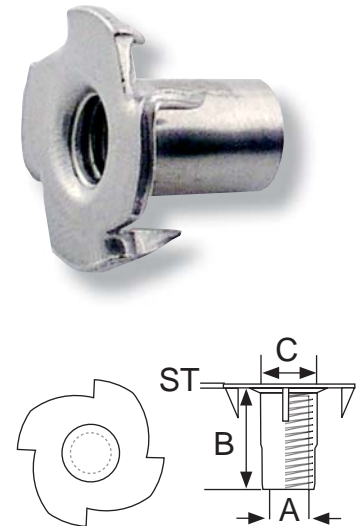
A	B	C	X = Hex	YZP	Material
M6	13,5 mm	Ø8,25 mm	6 x 3 mm	# 12.10.460	Steel
M6	15 mm	Ø8,5 mm	6 x 4,5 mm	# 12.10.461	Zamak



»T-NUT«

Material Steel, Bright Zinc Plated (BZP) or Plain
 ST = Steel Thickness
Type Knock in, 4 Prongs

A	B	C	ST	Item No.	Finish
M4	5 mm	Ø6,5 mm	0,8 mm	# 12.11.001	BZP
M5	8 mm	Ø6,5 mm	0,8 mm	# 12.11.006	BZP
M6	8 mm	Ø7,5 mm	1,2 mm	# 12.11.011	BZP
M6	11 mm	Ø7,5 mm	1,2 mm	# 12.11.014	BZP
M6	15 mm	Ø7,5 mm	1,2 mm	# 12.11.017	BZP
M8	10 mm	Ø9,5 mm	1,2 mm	# 12.11.019	BZP
M8	15 mm	Ø9,5 mm	1,5 mm	# 12.11.021	Plain
M10	11 mm	Ø9,5 mm	1,5 mm	# 12.11.024	BZP
M10	16 mm	Ø11,75 mm	1,6 mm	# 12.11.027	BZP



TOOL FOR INSERTING SCREW IN BUSHING

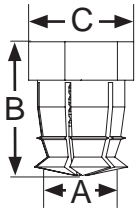
Material Steel
Type Tool for inserting screw in bushing

Thread	Item No.
M6	# 12.10.305
M8	# 12.10.315
M10	# 12.10.320



BUSHINGS

KNOCK IN BUSHINGS »EXPANSION«



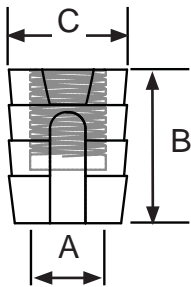
Material Brass, Natural

Type Knock in. Without plastic ball or with ball for extra expansion

A	B	C	Type	Item No.
M4	7,5 mm	5,5 mm	No ball	# 12.10.335
M4	10 mm	5,5 mm	No ball	# 12.10.330
M6	11,5 mm	8 mm	No ball	# 12.10.340
M6	11,5 mm	8 mm	With ball	# 12.10.345

Pulling power: 100 Kg.

NYLON KNOCK IN BUSHING »N«

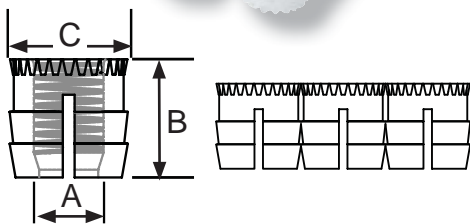
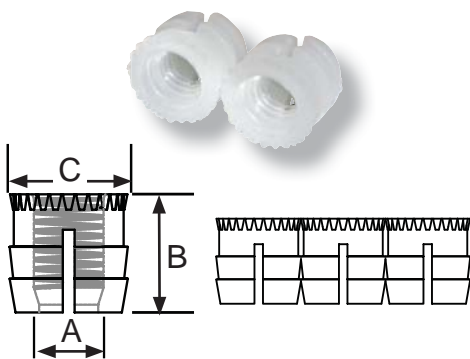


Material White nylon

Type Knock in. No collar. Closed end.

A	B	C	Colour	Item No.
M4	10 mm	Ø8 mm	White	# 12.11.315
M6	10 mm	Ø8 mm	White	# 12.11.410
M6	11 mm	Ø10 mm	White	# 12.11.420
M6	13 mm	Ø10 mm	White	# 12.11.440
M6	20 mm	Ø10 mm	White	# 12.11.465

NYLON EXPANSION BUSHING »STRIPS«

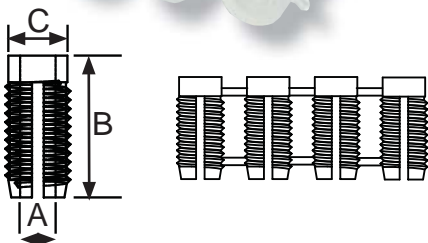
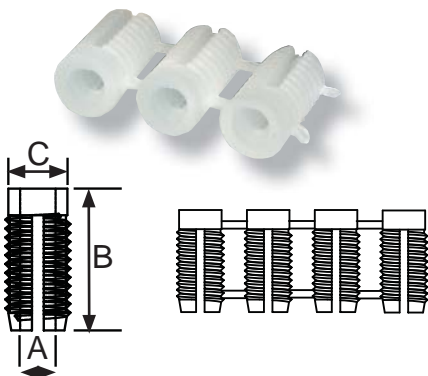


Material White nylon

Type Knock in. With knurled collar. In strips of 24 pcs.

A	B	C	Colour	Item No.
M6	11 mm	Ø10 mm	White	# 12.11.430
M6	13 mm	Ø10 mm	White	# 12.11.450

SELF-WINDING EXPANSION NYLON BUSHING



Material White nylon

Type Knock in. In strips of 30 pcs.

A	B	C	Colour	Item No.
Ø 3 mm	11,5 mm	Ø5,5 mm	White	# 12.11.351

"INVISIO" - KD SYSTEM

- high quality furniture fittings



The patented "INVISIO" fastening System may be used in many different applications, such as cabinets, chairs and store fixtures

The system was developed to accomplish three specific objectives:

- To join panels securely together in such a manner that dimensional changes in the material or structure would not rupture or loosen the joints
- To achieve this objective with a fast and simple method of assembly, preferably without the need for tools
- To end up with a joint in which the fasteners are totally concealed



Patented in US, Canada, EU, Turkey & China



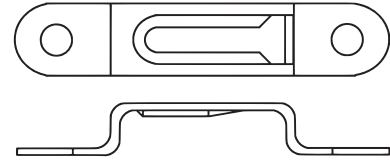
The "INVISIO" Fastening system meets these objectives by utilizing a spring steel declining ramp "Clip" and a large collared "Shoulder Screw" as the two mating members. Spring steel makes the joints strong, yet flexible, while the collar on the Shoulder Screw adds tremendous resistance to torsional pull-out. Assembly occurs by simply sliding the Shoulder Screw head down the Clip's ramp.

With the Clip located in its pocket, and the system assembled, no fasteners are visible!

SINGLE CLIPS – NON-LOCKING

Friction prevents the joint from disengaging.
Material Spring steel - black

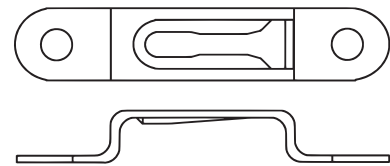
Model No.	Panel thickness	Pocket width A	Item No.
4032	16 mm	11 mm	# 11.16.075
5032	19 mm	13,3 mm	# 11.16.135



SINGLE CLIPS – SEMI-LOCKING

Friction and a narrowing runway prevent the joint from disengaging.
 Requires more force to disengage than Non-locking clips.
Material Spring steel - black

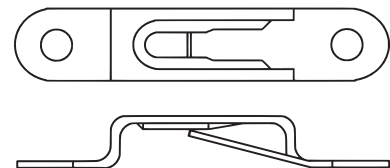
Model No.	Panel thickness	Pocket width A	Item No.
4035	16 mm	11 mm	# 11.16.085
5032A	19 mm	13,3 mm	# 11.16.140



SINGLE CLIPS – LOCKING

A locking tab prevents the joint from disengaging. Locking tab must be turned with a flat blade screw driver for disengagement.
Material Spring steel - black

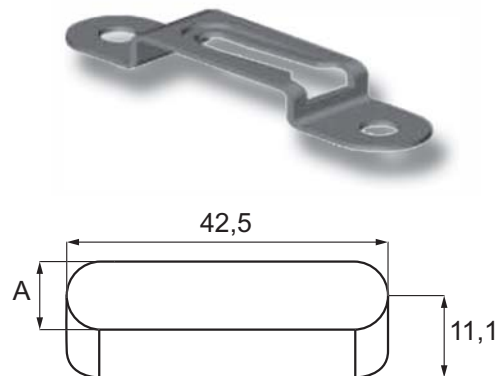
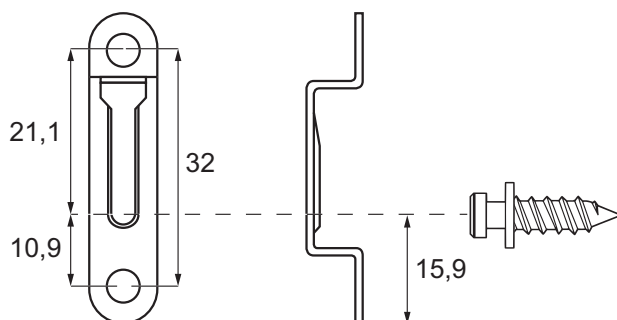
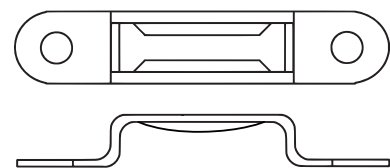
Model No.	Panel thickness	Pocket width A	Item No.
4034	16 mm	11 mm	# 11.16.080
5031	19 mm	13,3 mm	# 11.16.130



SINGLE CLIPS – PASS-THRU

Used in grooved edge with another clip as an alternative to pockets with windows.
Material Spring steel - black

Model No.	Panel thickness	Pocket width A	Item No.
4031	16 mm	11 mm	# 11.16.074
5030	19 mm	13,3 mm	On request



SINGLE "low pocket depth" CLIPS F/"INVISIO" KD-SYSTEM

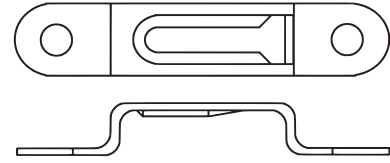
- high quality furniture fittings



SINGLE "low pocket depth" CLIPS – NON-LOCKING

Friction prevents the joint from disengaging.
Material Spring steel - black

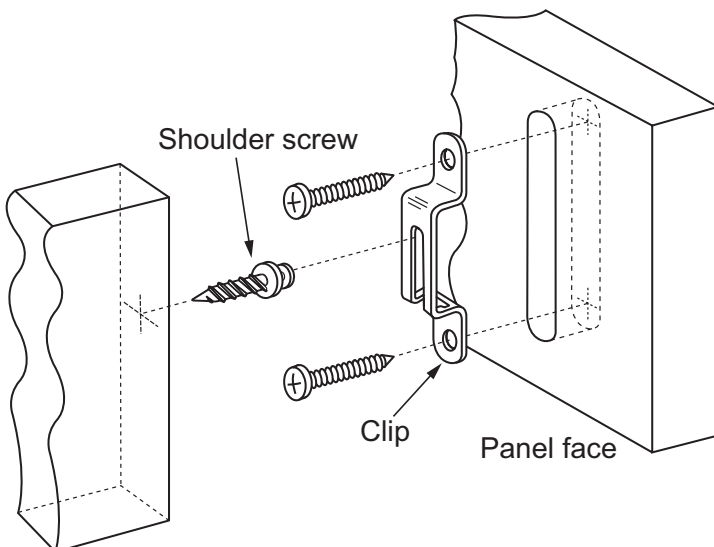
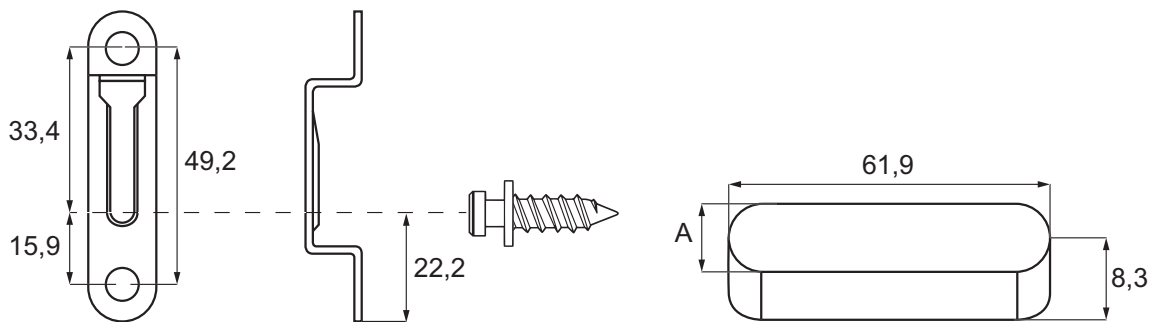
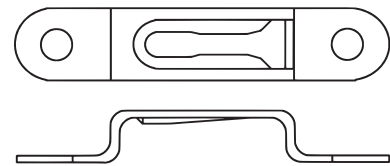
Model No.	Panel thickness	Pocket width A	Item No.
4060	16 mm	11 mm	# 11.16.095
4061	19 mm	13,3 mm	# 11.16.100



SINGLE "low pocket depth" CLIPS – SEMI-LOCKING

Friction and a narrowing runway prevent the joint from disengaging.
Requires more force to disengage than Non-locking clips.
Material Spring steel - black

Model No.	Panel thickness	Pocket width A	Item No.
4062	16 mm	11 mm	# 11.16.105
4063A	19 mm	13,3 mm	# 11.16.110

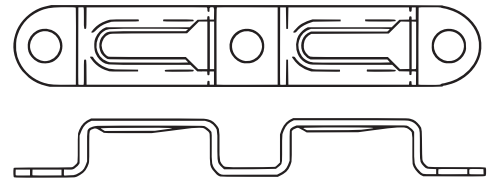


DOUBLE CLIPS F/"INVISIO" KD-SYSTEM

DOUBLE CLIPS – NON-LOCKING

Friction prevents the joint from disengaging.
Material Spring steel - black

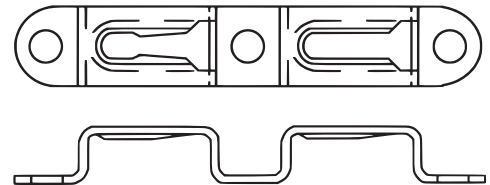
Model No.	Panel thickness	Pocket width A	Item No.
4036	16 mm	11 mm	# 11.16.255
5033	19 mm	13,3 mm	# 11.16.145



DOUBLE CLIPS – SEMI-LOCKING/NON-LOCKING

Friction and a narrowing runway prevent the joint from disengaging.
 Requires more force to disengage than Non-locking clips.
 1 hole with semi-locking and 1 without locking
Material Spring steel - black

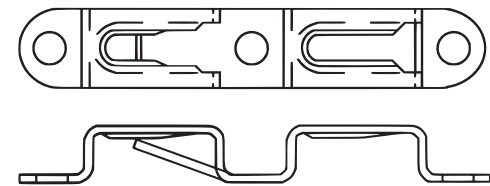
Model No.	Panel thickness	Pocket width A	Item No.
4037	16 mm	11 mm	# 11.16.260
5035	19 mm	13,3 mm	# 11.16.155



DOUBLE CLIPS – LOCKING/NON-LOCKING

A locking tab prevents the joint from disengaging. Locking tab must be turned with a flat blade screw driver for disengagement.
 1 hole with locking and 1 non locking
Material Spring steel - black

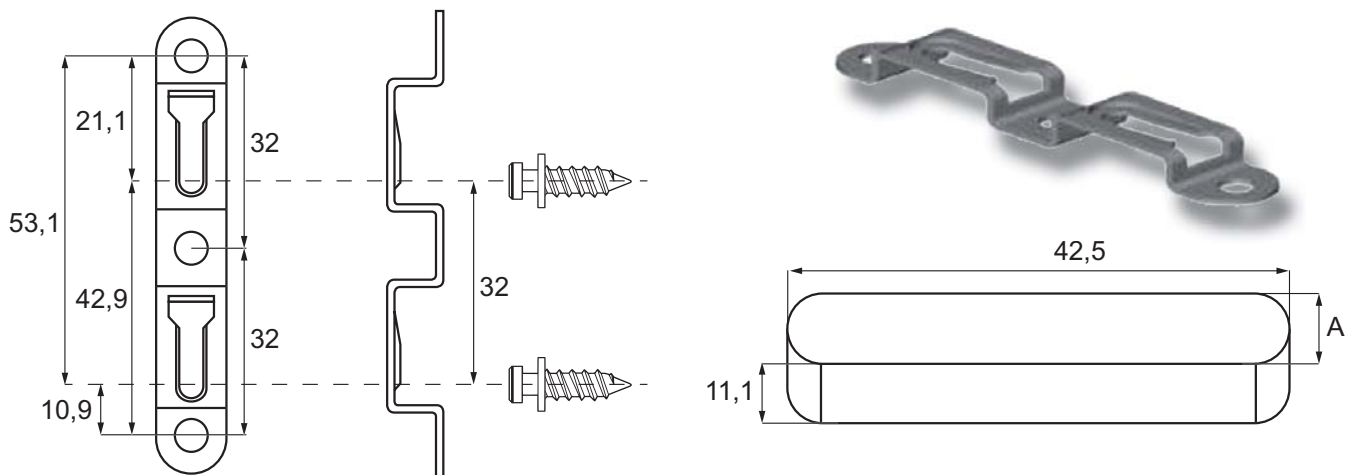
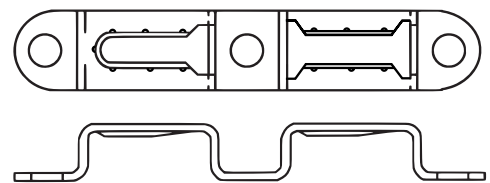
Model No.	Panel thickness	Pocket width A	Item No.
4038	16 mm	11 mm	# 11.16.265
5034	19 mm	13,3 mm	# 11.16.150



DOUBLE CLIPS – PASS-THRU/NON-LOCKING

Used in grooved edge with another clip as an alternative to pockets with windows.
 1 hole pass-thru and 1 non locking
Material Spring steel - black

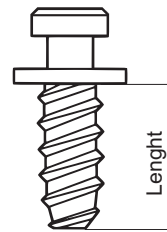
Model No.	Panel thickness	Pocket width A	Item No.
4039	16 mm	11 mm	# 11.16.263
5039	19 mm	13,3 mm	# 11.16.158



BLUNT STEEL SCREWS

F/Ø 5 mm pre-drilled holes with windows.

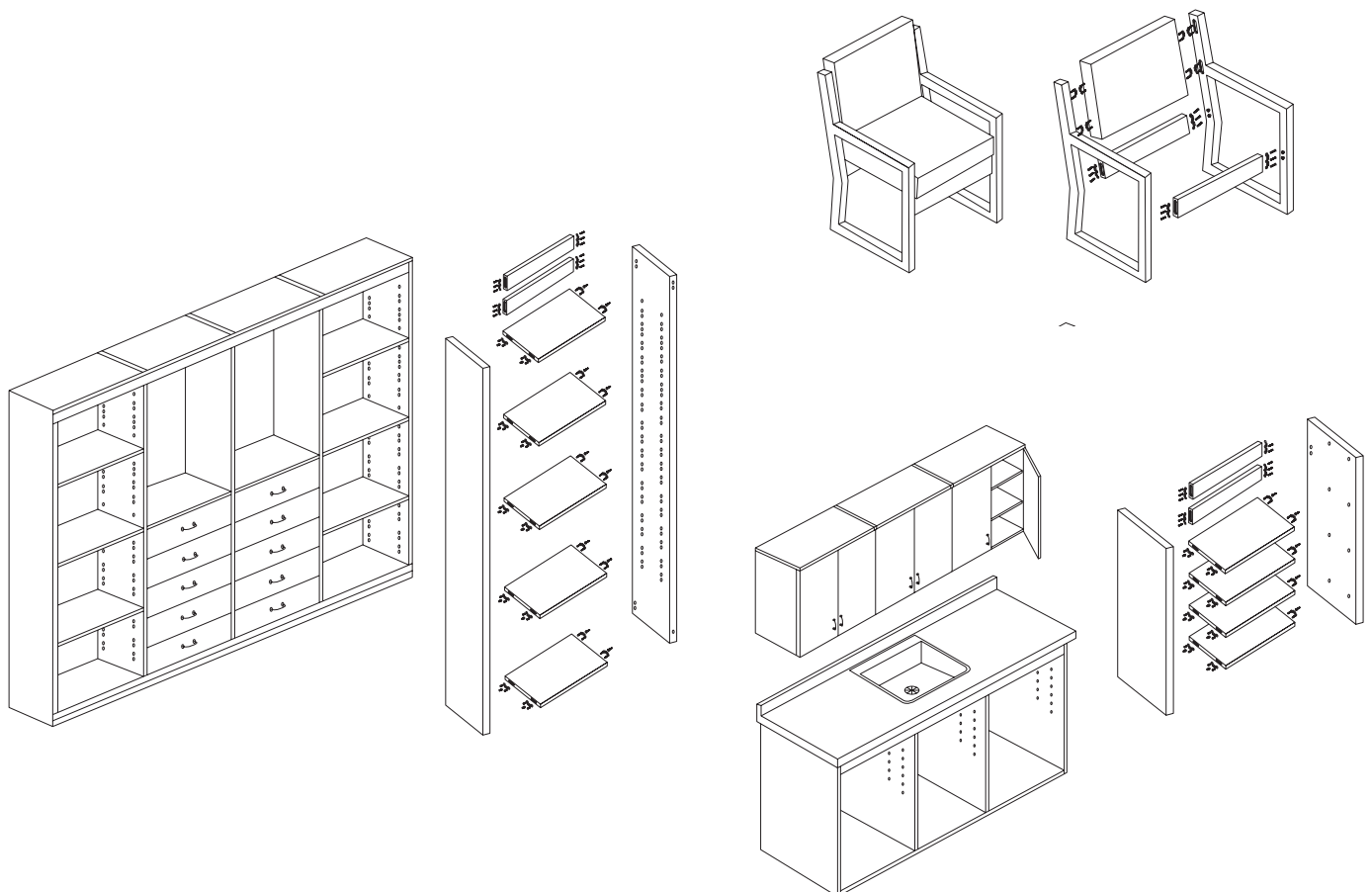
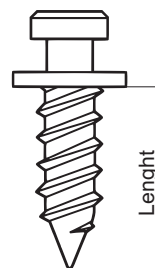
Size	Model	Item No.
∅ 5 x 10 mm	2053	# 11.16.040
∅ 5 x 12,7 mm	2055	# 11.16.045



POINTED STEEL SCREWS

F/Ø 4 & 5 mm pre-drilled holes.

Size	Model	Item No.
∅ 4 x 11 mm	5067	# 11.16.235
∅ 4 x 13 mm	1065	# 11.16.250
∅ 4 x 16 mm	1165	# 11.16.030
∅ 4 x 22 mm	5070	# 11.16.245
∅ 4 x 32 mm	5068	# 11.16.225
∅ 4 x 29 mm	5069	# 11.16.230
∅ 5 x 16 mm	2155	# 11.16.070
∅ 5 x 22 mm	6069	# 11.16.310



"INVISIO" ANTI ROTATING CLIPS

The 32 mm anti rotating clips are designed to go into a rail with open pocket as narrow as 13 mm using the 2000 clip series and 19 mm using the 5000 clip series. It provides a tight concealed joint over a wide range of pocket depths.

It may be used in many different applications such as cabinets, chairs, tables & store fixtures.

The clip system is available in 2 versions. Non-locking and Locking.

ANTI ROTATING CLIPS – NON-LOCKING

Friction prevents the joint from disengaging.

Material Spring steel - black

Model No.	Panel thickness	Pocket width A	Pocket width B	Item No.
2075 - male	16 mm	12,7 mm	14 mm	# 11.16.050
2076 - female	16 mm	12,7 mm	14 mm	# 11.16.051
5075 - male	19 mm	13,3 mm	12,1 mm	# 11.16.400
5076 - female	19 mm	13,3 mm	12,1 mm	# 11.16.401

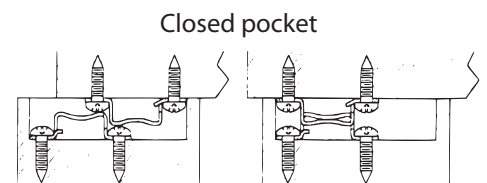
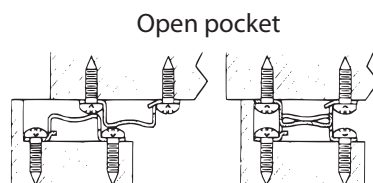
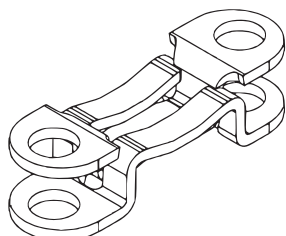
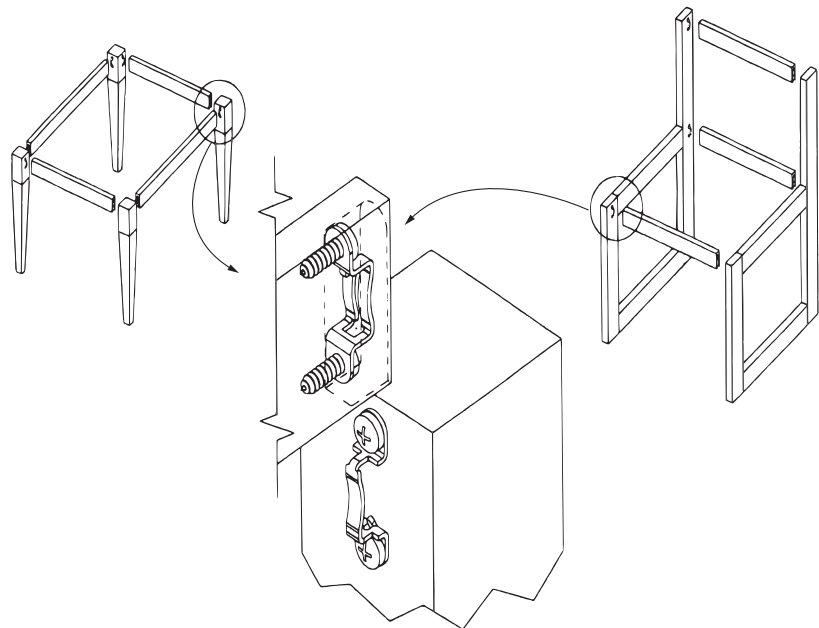
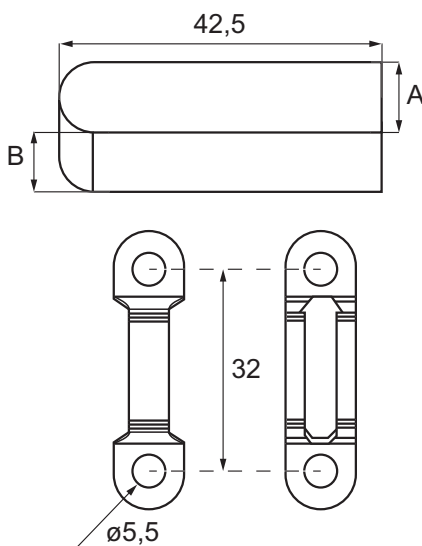


ANTI ROTATING CLIPS – LOCKING

A locking tab prevents the joint from disengaging. Locking tab must be turned with a flat blade screw driver for disengagement.

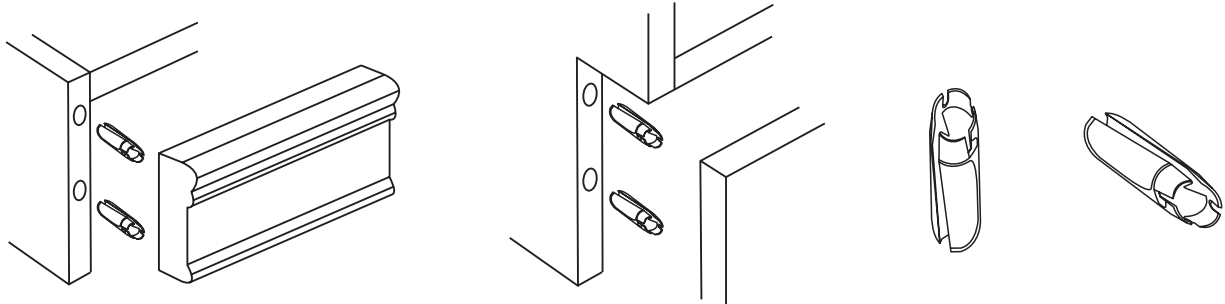
Material Spring steel - black

Model No.	Panel thickness	Pocket width A	Pocket width B	Item No.
5073 - male	19 mm	13,3 mm	12,1 mm	# 11.16.390
5074 - female	19 mm	13,3 mm	12,1 mm	# 11.16.391



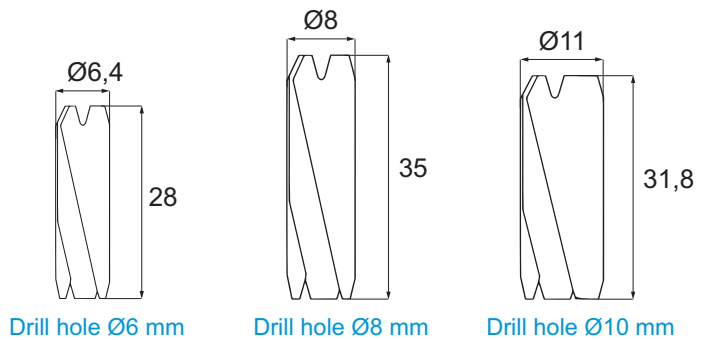
Compression dowels are just right for fastening decorative trim pieces like partition top caps, chair arms, toe kicks etc. Used with wood dowels, the compression dowels function as an internal clamp until the glue sets.

Surface mount dowels feature a closed end that can be screwed down with a #10 pan headed screw. This allows the dowel to stay fastened to the proper member during disassembly.



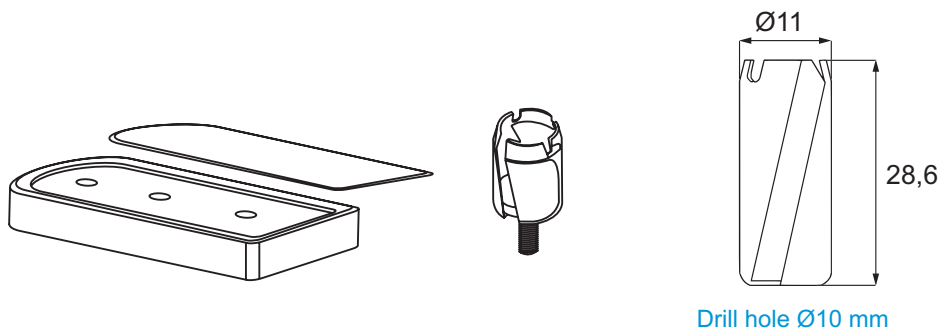
COMPRESSION DOWELS

Material		Spring steel - black	
Size	Model	Item No.	
∅ 6,4 x 28 mm	5052A	# 11.16.170	
∅ 8 x 35 mm	5053A	# 11.16.176	
∅ 11 x 31,8 mm	5055	# 11.16.180	



COMPRESSION DOWELS – surface mounted – closed end

Material		Spring steel - black	
Size	Model	Item No.	
∅ 11 x 28,6 mm	5055A	# 11.16.185	



QUICK DOWEL CABINET CONNECTOR

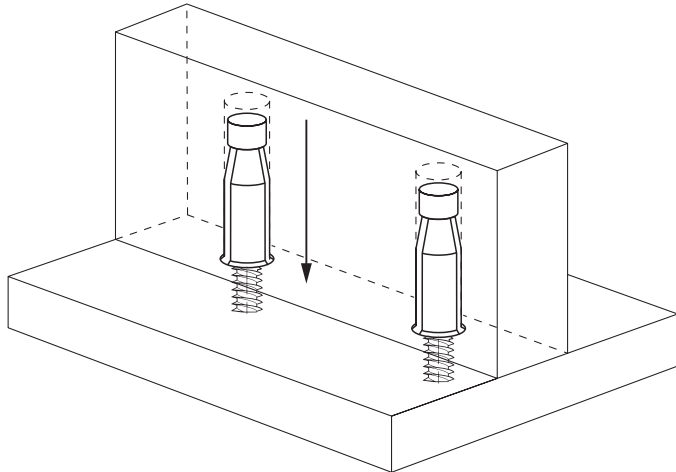
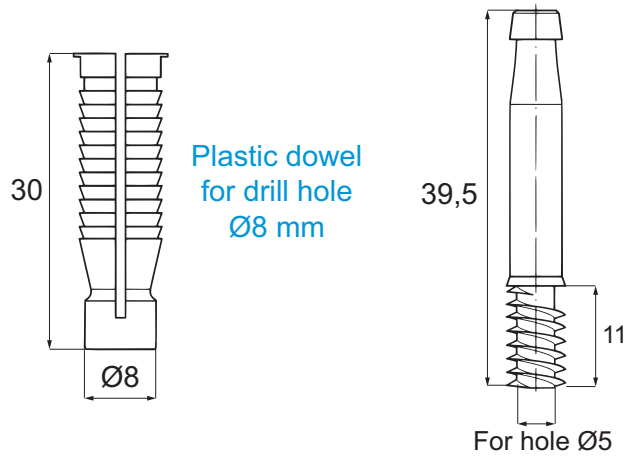
Material
Steel, bright zinc plated & black plastic

Consists of 2 parts
Dowel w/wood thread & knock-in plastic bushing

Size
Dowel \varnothing 8 x 39,5 mm, \varnothing 5 mm wood thread

Bushing
 \varnothing 8 x 30 mm

Item No.
Dowel # 11.16.530
Bushing # 11.16.531





- high quality furniture fittings

Item No.: 99.00.004 15.10.2017

SISO A/S

Mileparken 11 Phone: (+45) 45 830 900
DK - 2740 Skovlunde (Copenhagen) Fax: (+45) 45 830 444
Denmark E-mail: siso@siso.dk Web: www.siso.dk